



BOSCH 5 Pin Relays - Change Over
Sold Individually

www.bosch.com.au

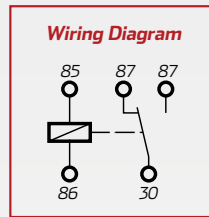


DESCRIPTION

Change over 5 pin relays.
Suitable for wide range automotive or electrical applications.

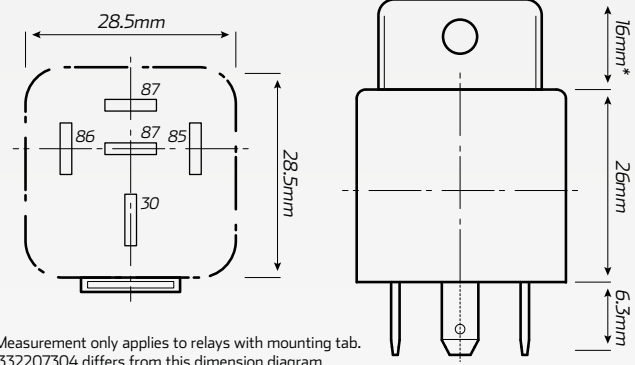
FEATURES:

- Up to 250,00 estimated switching cycles
- Silver tin contacts
- IP5K4 protection
- Withstand temperature range of -40°C to 100°C



TECHNICAL SPECIFICATIONS

Operating Temperature	• -40°C to 100°C
Contact Material	• Silver tin oxide
Mechanical Life	• Up to 250,000 cycles
Terminal Size	• 6.3mm
Dimensions	• 26mm x 28.5mm x 28.5mm



PART NUMBERS

Part Number	Voltage	Amperage	Protection	Mounting	Description
0332207304	12 Volt	20/10 Amp	Diode	No	12V, 20/10A 5 pin changeover relay with diode protection.
0332209150	12 Volt	20/30 Amp	-	Yes	12V, 20/30A 5 pin changeover relay with bracket.
0332209151	12 Volt	20/30 Amp	-	No	12V, 20/30A 5 pin changeover relay
0332209158	12 Volt	20/30 Amp	Diode	Yes	12V, 20/30A 5 pin changeover relay with bracket & diode protection.
0332209203	24 Volt	20/10 Amp	-	Yes	24V, 20/10A 5 pin changeover relay with bracket
0332209211	24 Volt	20/10 Amp	-	No	24V, 20/10A 5 pin changeover relay
0332209204	24 Volt	20/10 Amp	Diode	Yes	24V, 20/10A 5 pin changeover relay with bracket & diode protection.