



LED Bayonet Globe - Indicator

#1156AM

www.ledautolamps.com

10
YEAR
WARRANTY

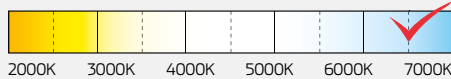


Indicator LED replacement globe with BA15s base

FEATURES

- CANbus compatible
- 18 high brightness SMD LED's
- Reverse polarity protected
- 32 Volt over voltage protection
- 50,000 hour lifespan
- 6500K colour temperature

Colour Temperature Scale

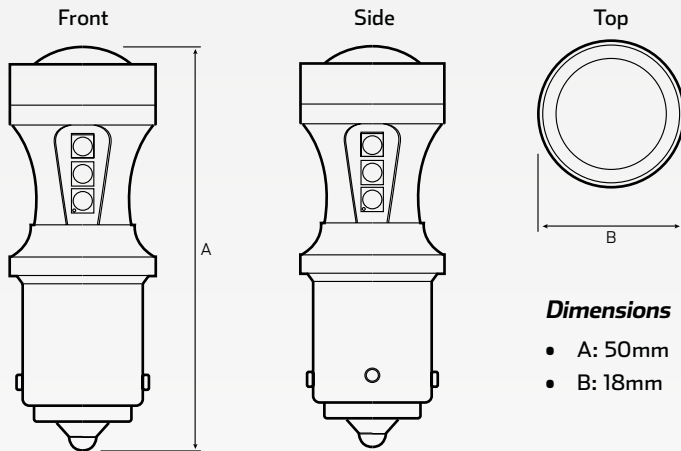


12V - 24V

380 lumens

360° Beam

DIMENSIONS

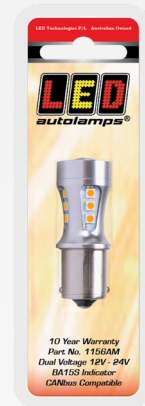


Dimensions

- A: 50mm
- B: 18mm



Active



Product comes in a blister pack

TECHNICAL SPECIFICATIONS

LED Quantity	• 18 LED's
Voltage	• 12 - 24 Volt
Effective Lumens	• Indicator - 380 Lumens
Fitting	• BA15s Base
Current Draw	• 0.43 Amp @ 12 Volt

Colour Temperature	• 6500K
LED Lifespan	• 50,000 Hours
Beam Angle	• 360°
Beam Colour	• Amber
Warranty	• 10 Year Warranty