



## LED Bayonet Globe - Reverse

#1156WM

www.ledautolamps.com



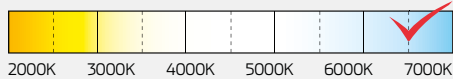
**10**  
YEAR  
WARRANTY

Reverse LED replacement globe with BA15s base

### FEATURES

- CANbus compatible
- 18 high brightness SMD LED's
- Reverse polarity protected
- 32 Volt over voltage protection
- 50,000 hour lifespan
- 6500K colour temperature

### Colour Temperature Scale

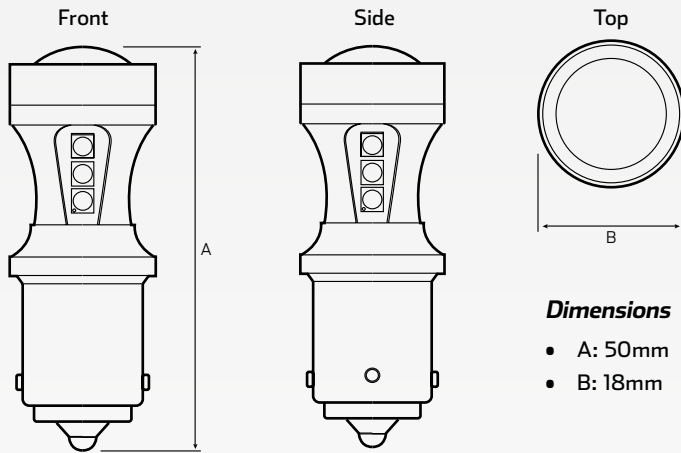


12V - 24V

570 lumens

360° Beam

### DIMENSIONS

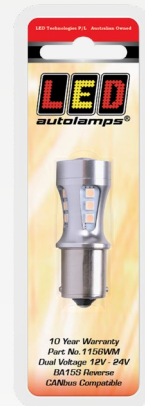


#### Dimensions

- A: 50mm
- B: 18mm



Active



Product comes in a blister pack

### TECHNICAL SPECIFICATIONS

LED Quantity	• 18 LED's
Voltage	• 12 - 24 Volt
Effective Lumens	• Reverse - 570 Lumens
Fitting	• BA15s Base
Current Draw	• 0.43 Amp @ 12 Volt

Colour Temperature	• 6500K
LED Lifespan	• 50,000 Hours
Beam Angle	• 360°
Beam Colour	• Cool White
Warranty	• 10 Year Warranty