



LED Bayonet Globe - Stop/Tail

#1157RM

www.ledautolamps.com



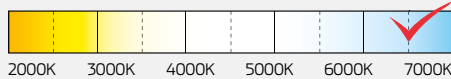
10
YEAR
WARRANTY

Stop/Tail LED replacement globe with BAY15d base

FEATURES

- CANbus compatible
- 18 high brightness SMD LED's
- Reverse polarity protected
- 32 Volt over voltage protection
- 50,000 hour lifespan
- 6500K colour temperature

Colour Temperature Scale

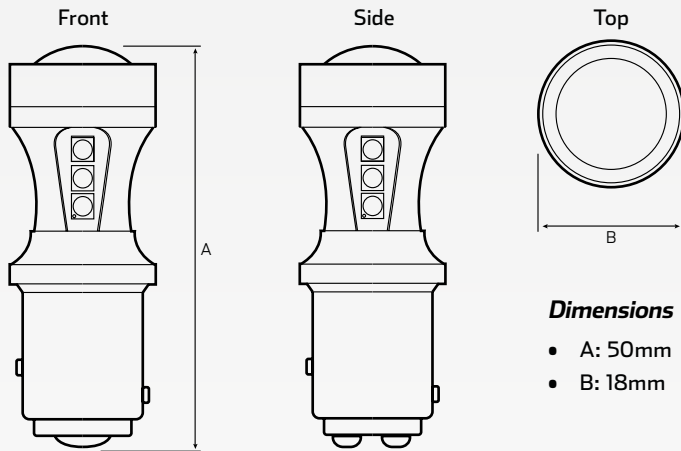


12V - 24V

380 lumens

360° Beam

DIMENSIONS

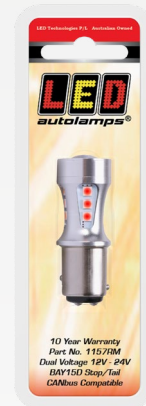


Dimensions

- A: 50mm
- B: 18mm



Active



Product comes in a blister pack

TECHNICAL SPECIFICATIONS

LED Quantity	• 18 LED's
Voltage	• 12 - 24 Volt
Effective Lumens	• Stop - 380 Lumens, Tail - 125 Lumens
Fitting	• BAY15d Base
Current Draw	• 0.43 Amp @ 12 Volt

Colour Temperature	• 6500K
LED Lifespan	• 50,000 Hours
Beam Angle	• 360°
Beam Colour	• Red
Warranty	• 10 Year Warranty