



Low profile LED
Emergency Lights
#120034

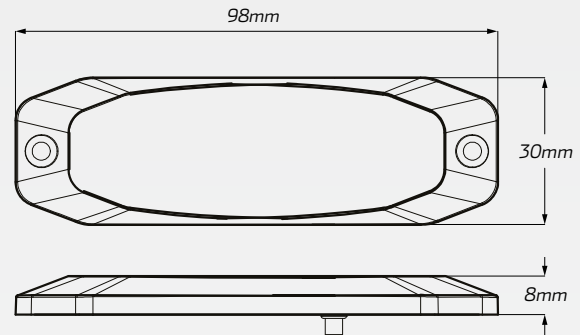
www.ledautolamps.com



DESCRIPTION

12-24 Volt High powered emergency strobing LED lights. Powered by 4 x 3W of high intensity LED's with up to 11 flash patterns aiming to provide the most optimal safety condition throughout the workspace. Super low profile built with synchronising wire of up to 20 lamps. IP67 weatherproof protection. SAE/J595 Class 1 & Class 2 approved.

Available in 5 colours. 3 year manufacturer warranty.



TECHNICAL SPECIFICATIONS

Voltage Range	• 12 - 24 Volt
Flash Patterns	• 11 flash patterns
LED Count	• 4 x 3 Watt LED's
IP Rating	• IP67 rated
Cable	• 250mm pre-wired cable
Dimensions	• 98mm W x 30mm H x 8mm D
Approvals	• ECE R10 / SAE J595 Class 1 & Class 2
Current Draw	• Constant: 0.27A @ 13.8V / 0.15A @ 28V • Strobe: 0.60A @ 13.8V / 0.34A @ 28V

FLASH PATTERNS

• Constant on (SAE)	• Single all
• Single (2Hz) (SAE)	• Double all
• Double (2Hz) (SAE)	• Quint all
• Triple (2Hz) (SAE)	• Quad all
• Quad (2Hz)	• Ultra all
• Random	

TECHNICAL SPECIFICATIONS

Part Number.	LED Colour	SAE Class	Descriptions
120034RM	• Red	• SAE J595 Class 1	• 12 - 24 Volt 4 LED's low profile emergency lights - Red LED
120034AM	• Amber	• SAE J595 Class 1	• 12 - 24 Volt 4 LED's low profile emergency lights - Amber LED
120034BM	• Blue	• SAE J595 Class 1	• 12 - 24 Volt 4 LED's low profile emergency lights - Blue LED
120034WM	• White	• SAE J595 Class 2	• 12 - 24 Volt 4 LED's low profile emergency lights - White LED
120034GM	• Green	• SAE J595 Class 2	• 12 - 24 Volt 4 LED's low profile emergency lights - Green LED