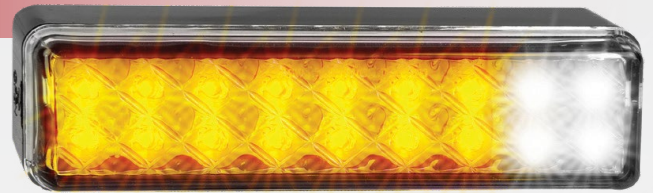




LED Front Indicator & Park Lamp
#135AW2

www.ledautolamps.com

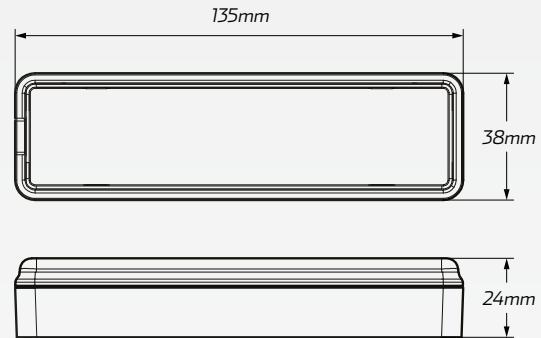


DESCRIPTION

12 Volt LED front indicator lamp with front position marker.
Specifically designed for bullbars. Contains 18 high powered LED's. Equipped with hardened acrylic lens & ABS base with black bracket. IP67 water and dust protection. ECE approved.
Comes in a blister pack of 2.

FEATURES

- Front indicator lamp with front position marker
- 12 Volt only
- ECE Australian Road Approved
- Powered by 18 high intensity LED's
- Hardened acrylic lens & ABS base with 200mm cable
- Surface mount (ADR 13/00 specifications)
- Waterproof up to IP67 rating
- Lamp has a clear lens when not illuminated
- Blister pack of 2
- 5 year manufacturer warranty



TECHNICAL SPECIFICATIONS

Voltage Range	• 12 Volt
Function	• Front indicator & park lamp
LED Count	• 18 LED's
IP Rating	• IP67 rated
Cable	• 200mm pre-wired cable
Current Draw	• Stop: 0.25A @ 13.8V • Tail: 0.04A @ 13.8V

Lens Material	• Hardened acrylic lens
Base Material	• ABS base
Dimensions	• 135mm W x 38mm H x 24mm D
Mounting Type	• Surface mount (ADR 13/00)
Mounting Dimensions	• 80mm / 120mm CTC
Approvals	• Indicator: ECE R6.01.E9.11745 • Front marker: ECE R7.02a.E9.11745