



12V Stop/Tail & Indicator Lamp

#149 Series

www.ledautolamps.com



5 YEAR WARRANTY

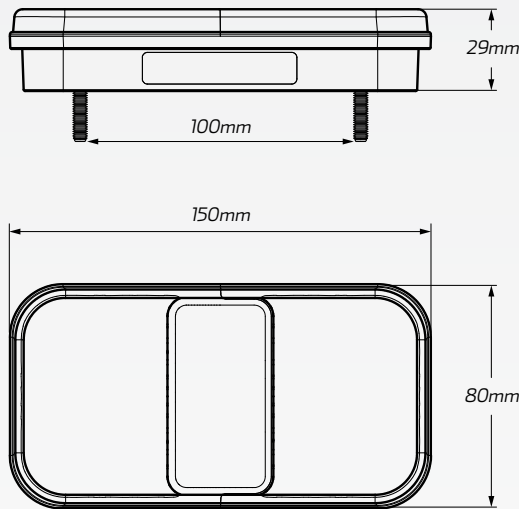
DESCRIPTION

LED Autolamps, low profile 12V stop/tail & indicator lamp with built-in reflector & horizontal mount license plate lamp.

Equipped with 8 high powered LED's. Pre-wired with a 400mm cable. Comes in a twin blister pack that includes the left & right side lamp. ECE Australian Road Approved. IP67 rated.

5 year manufacturer warranty.

TECHNICAL SPECIFICATIONS



Voltage Range	• 12 Volt
LED Count	• 8 + 4 (license plate lamp) LED's
Function	• Stop/tail & indicator with reflector
Current Draw	• Stop: 0.05A @ 13.8V • Tail: 0.07A @ 13.8V • Indicator: 0.08A @ 13.8V
Cable Length	• 400mm cable
Dimensions	• 80mm H x 150mm W x 29mm D
Approvals	• Stop/tail: ECE R1-S1-E9-02.11712 • Indicator: ECE 2a-E9-01.11712 • License: ECE L-E9-00.11712 • Reflector: ECE IA-E9-02.11712

PART NUMBERS

Part Number.	Quantity	Function	Description
149BAR4P	• 1 Lamp (Bulk)	• Stop/tail/ind with harness plug	• 12V Stop/tail/ind lamp with 4 pin plug
149BARL4P	• 1 Lamp (Bulk)	• Stop/tail/ind with license plate lamp	• 12V Stop/tail/ind lamp with license plate lamp & 4 pin plug
149BARLP2	• 2 Lamps (Twin blister)	• Twin blister with LHS/RHS	• 2x 12V Stop/tail/ind with license plate lamp, Twin blister packed