



LED Front Indicator & Marker Lamp

#200CAW

www.ledautolamps.com



DESCRIPTION

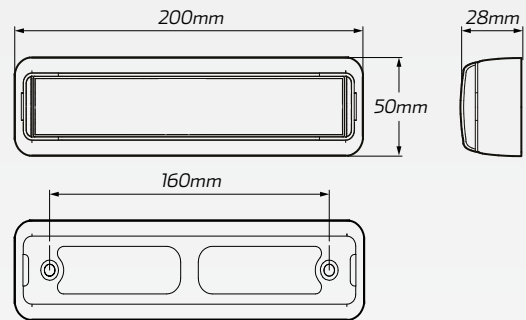
Front indicator & marker lamp. Sold individually.

Low profile design surface mount LED lights. Features ABS chrome bracket, IP67 rated weatherproof protection and ADR Australian road approval. Pre-wired with 400mm cable.

5 year manufacturer warranty.

FEATURES

- Front indicator & marker lamp. sold individually
- Clear when not illuminated
- Low profile design, surface mount
- Chrome ABS mounting bracket
- ADR Australian Road Approved
- Dust & waterproof up to IP67 rating
- Comes with 5 year manufacturer warranty



TECHNICAL SPECIFICATIONS

Voltage Range	• 12 / 24 Volt (based on model)
Function	• Front indicator & marker lamp
Features	• Chrome bracket (ABS)
IP Rating	• IP67 rated
Cable	• 400mm pre-wired cable
Current Draw	• Indicator: 0.12 @ 13.8V / 0.08A @ 28V • Marker: 0.01A @ 13.8V / 0.02A @ 28V

LED Count	• 29 high powered LED's
Dimensions	• 200mm L x 50mm W x 28mm D
Mounting Type	• Surface mount
Mounting Dimensions	• 160mm CTC
Approvals	• Indicator: ADR 6/00 Cat1 CRN 38794 • Marker: ADR 49/00 CRN 38795 • Indicator/Marker: CTA-060202

TECHNICAL SPECIFICATIONS

Part Number.	Quantity	Function	Description
200CAW	• 1 lamp	• Front indicator & marker	• 12 Volt Front indicator & marker lamp with chrome bracket. ADR approved. Single box.
200CAW24	• 1 lamp	• Front indicator & marker	• 24 Volt Front indicator & marker lamp with chrome bracket. ADR approved. Single box