



12V 85 Amp  
Continuous Duty Solenoid  
#24059

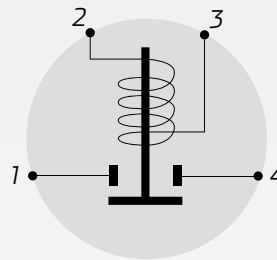
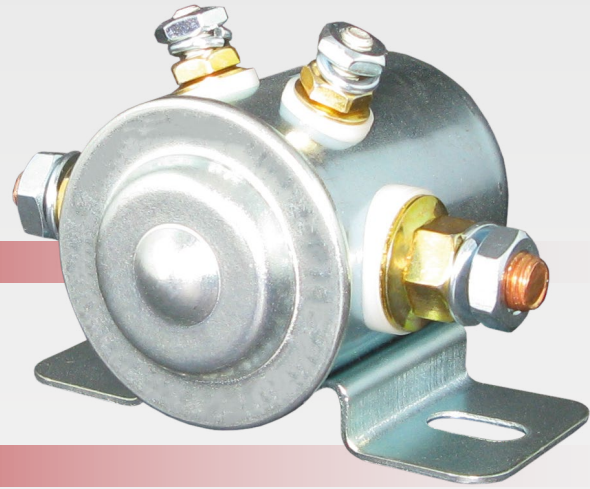
www.colehersee.com.au

### DESCRIPTION

12V, 85 Amp continuous duty solenoid with insulated earth stud.  
750 Amp make, 100 Amp break.

### FEATURES

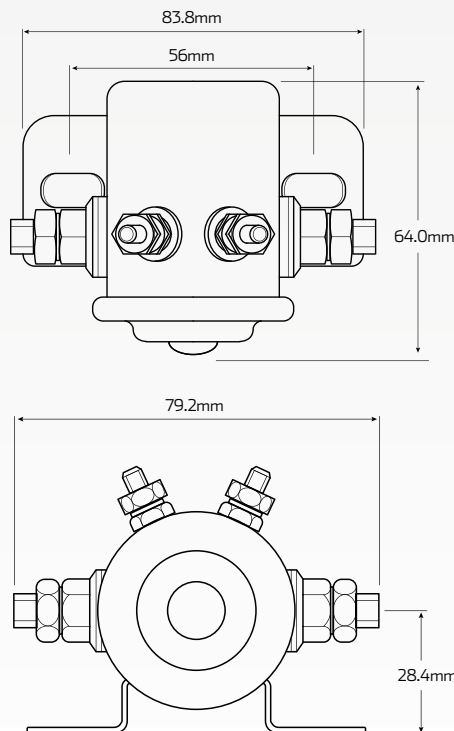
- Continuous duty solenoid
- SPST normally open (one circuit) OFF/ON
- Plated steel housing, hexnuts and washers included
- 4 stud, insulated earth stud
- Mount with brand cap facing "down"
- Intermittent rating 10 seconds on, 30 mins off
- Copper contacts



### ELECTRICAL SCHEMATIC

Caution: never unscrew the inner hexnuts on the studs. These keep the stud and inner wiring in place.

### TECHNICAL SPECIFICATIONS



|                        |                                    |
|------------------------|------------------------------------|
| Voltage                | • 12 Volt DC                       |
| Amperage               | • 85 Amp                           |
| Circuitry              | • Single-Pole, Single-Throw (SPST) |
| Contacts               | • Normally Open (NO)               |
| Housing Material       | • Plated steel, PVC coated         |
| Contact Material       | • Copper                           |
| Battery Terminals      | • 5/16" - 24 threads               |
| Coil Studs             | • 10 - 32" threads                 |
| Insulated / Grounded   | • Insulated                        |
| Operating Temperature  | • -40°C to 85°C                    |
| Bracket Mounting Holes | • 7.9mm x 15.1mm, 56.0mm CTC       |