



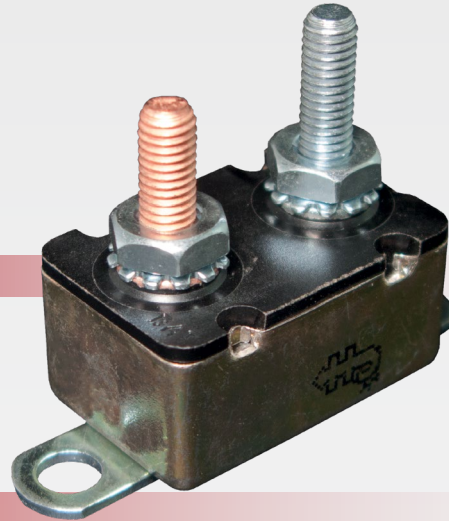
## Auto Resettable Metal Circuit Breakers

Cole Hersee Co. #30055

www.colehersee.com.au

### DESCRIPTION

12 / 24 Volt auto resettable metal housing circuit breakers.  
An auto resettable circuit breaker cycles or applies continuous current until an overload is detected & corrected.



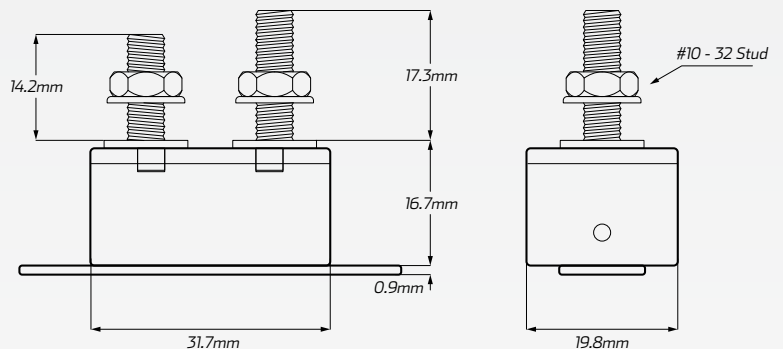
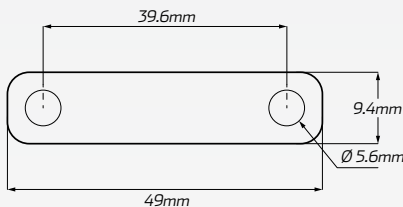
### TECHNICAL SPECIFICATIONS

- Thermal reset circuit breaker.
- Cycle or continuous resets during overload
- Plated steel housing with 10-32 stud terminals
- Flange mount. Plated steel mounting bracket

#### Dimensions

#### Mounting Dimensions

Short stud: BAT  
Long stud: AUX



### PART NUMBERS

<b>Voltage</b>	• 12 / 24 Volt
<b>Circuit Function</b>	• Auto reset (thermal reset)
<b>Housing Material</b>	• Plated steel
<b>Dimensions</b>	• 31.7mm x 34.9mm x 19.8mm
<b>Stud Size</b>	• # 10-32
<b>Mounting Style</b>	• Flange mount
<b>Approvals</b>	• SAE J 553

Part No.	Descriptions
30055-10B	• 10 Amp auto reset metal housing circuit breaker
30055-15B	• 15 Amp auto reset metal housing circuit breaker
30055-20B	• 20 Amp auto reset metal housing circuit breaker
30055-25B	• 25 Amp auto reset metal housing circuit breaker
30055-30B	• 30 Amp auto reset metal housing circuit breaker
30055-40B	• 40 Amp auto reset metal housing circuit breaker
30055-50B	• 50 Amp auto reset metal housing circuit breaker