



9-33V LED
Side Indicator Lamp
#3102BM

www.ledautolamps.com



DESCRIPTION

Cat 6 low profile LED side indicator lamp. Features 12 high intensity LED's powered by a multivolt (9 - 33V) input.

Equipped with a PMMA lens & ABS base making this light incredibly rugged. Pre-wired with 190mm cable. ECE approved.

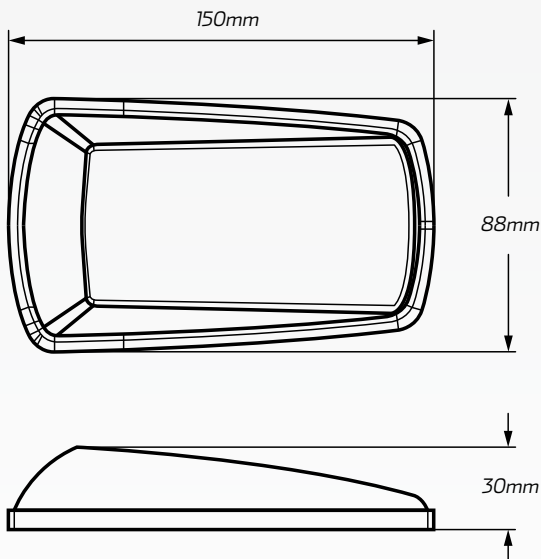
5 year manufacturer warranty.

FEATURES

- Multivolt: 9 - 33 Volt input
- Low profile LED indicator with 12 high intensity LED's
- Pre-wired with 190mm cable
- Rugged PMMA lens & ABS base
- Water & dust protection up to IP67 rating
- Category 6 approved
- ECE approved
- 5 year manufacturer warranty



TECHNICAL SPECIFICATIONS



Voltage Range	• 9-33 Volt
Function	• Side direction indicator lamp
LED Count	• 12 LED's
Current Draw	• 0.18A @ 13.8V / 0.10A @ 28V
Dimensions	• 150mm H x 88mm W x 30mm D
Wiring	• 190mm pre-wired cable
Lens Material	• PMMA lens
Base Material	• ABS base
Approvals	• ECE Cat 6 E4-6R-01.6333