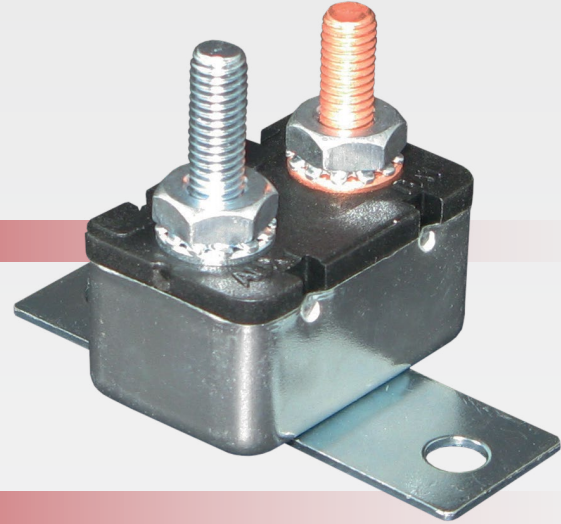


NARVA® Auto Resettable
Metal Circuit Breaker
90° Mounting Bracket

www.narva.com.au

DESCRIPTION

6 - 24 Volt auto resettable (Type 1) metal circuit breaker.
An auto resettable circuit breaker cycles or applies a continuous current until the overload current is corrected.
Equipped with 90° angled mounting bracket.



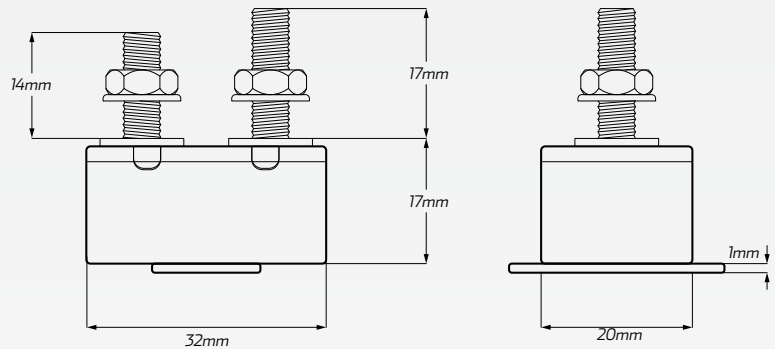
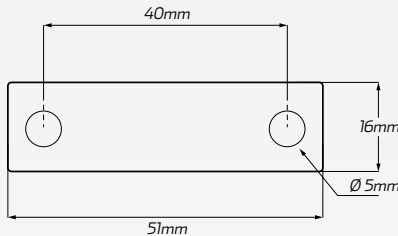
FEATURES

- Suitable for 6 - 24 Volt applications
- 90° angled mounting bracket
- 10 - 50 Amp circuit breaker range
- Metal circuit breaker automatic reset (Type 1)

Dimensions

Mounting Dimensions

Short stud: BAT
Long stud: AUX



TECHNICAL SPECIFICATIONS

Voltage	• 6 - 24 Volt
Circuit Function	• Automatic reset (Type 1)
Housing Material	• Metal
Fuse Dimensions	• 51mm x 32mm
Mounting Material	• Metal
Mounting Style	• 90° angle
Operating Temperature	• -23°C to 65°C

Part No.	Descriptions
54610BL	• 10 Amp auto reset circuit breaker with 90° mounting bracket
54615BL	• 15 Amp auto reset circuit breaker with 90° mounting bracket
54620BL	• 20 Amp auto reset circuit breaker with 90° mounting bracket
54625BL	• 25 Amp auto reset circuit breaker with 90° mounting bracket
54630BL	• 30 Amp auto reset circuit breaker with 90° mounting bracket
54635BL	• 35 Amp auto reset circuit breaker with 90° mounting bracket
54640BL	• 40 Amp auto reset circuit breaker with 90° mounting bracket
54650BL	• 50 Amp auto reset circuit breaker with 90° mounting bracket