

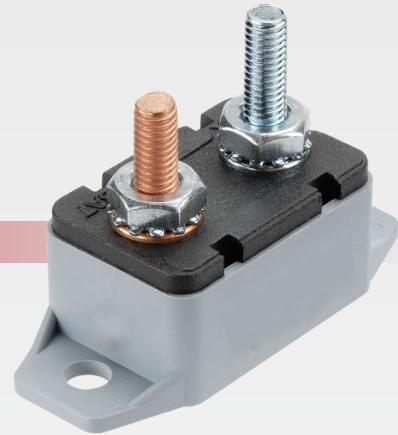
**NARVA**® Auto Resettable  
Plastic Circuit Breaker  
Sold Individually

www.narva.com.au

**DESCRIPTION**

12-24 Volt Automatic reset circuit breakers.

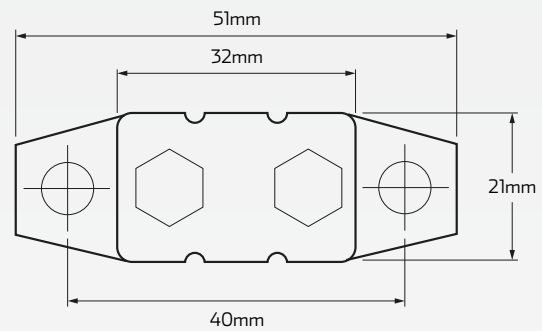
Plastic housing equipped with a built-in straight mounting bracket.  
Withstand up to 65°C operating temperature.



**TECHNICAL SPECIFICATIONS**

<b>Circuit Type</b>	• Auto Reset Type 1
<b>Voltage</b>	• 12 - 24 Volt
<b>Operating Temperature</b>	• -23°C to 65°C
<b>Material</b>	• Plastic
<b>Mounting</b>	• Straight Bracket, 40mm CTC
<b>Dimensions</b>	• 51mm x 21mm

**DIMENSIONS**



**PART NUMBERS**

Part Number.	Amperage	Reset	Body Type	Description
54810	10 Amps	Auto	Plastic Case (straight mount)	10A auto reset plastic housing circuit breaker with straight bracket
54815	15 Amps	Auto	Plastic Case (straight mount)	15A auto reset plastic housing circuit breaker with straight bracket
54820	20 Amps	Auto	Plastic Case (straight mount)	20A auto reset plastic housing circuit breaker with straight bracket
54830	30 Amps	Auto	Plastic Case (straight mount)	30A auto reset plastic housing circuit breaker with straight bracket
54840	40 Amps	Auto	Plastic Case (straight mount)	40A auto reset plastic housing circuit breaker with straight bracket
54850	50 Amps	Auto	Plastic Case (straight mount)	50A auto reset plastic housing circuit breaker with straight bracket