

NARVA® Plug-in Auto Reset Circuit Breaker
THE VISION TO GO FURTHER
ATS blade fuse

www.narva.com.au

DESCRIPTION

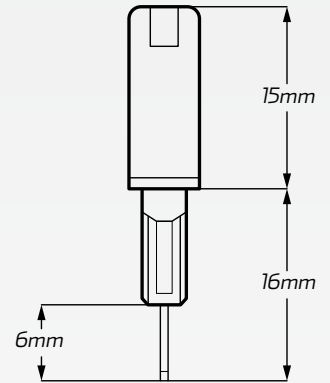
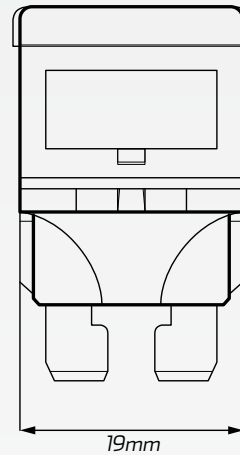
10 - 32 Volt automatic reset (Type 1) plug-in circuit breaker.
An auto resettable circuit breaker cycles or applies a continuous current until the overload current is corrected.
A direct replacement for the standard ATS blade fuse.



TECHNICAL SPECIFICATIONS

- Automatic reset plug-in circuit breaker (Type 1)
- Suitable for 10 - 32 Volt applications
- A direct replacement for a standard ATS blade fuse
- Flame retardant. -30°C to 60°C operating temperature

Voltage	• 10 - 32 Volt
Circuit Function	• Automatic reset (Type 1)
Circuit Type	• Standard ATS blade fuse
Operating Temperature	• -30°C to 60°C



PART NUMBERS

Blister Part No.	5 Pack Part No.	Amperage	Description
55610BL	55610	10 Amp	10 Amp auto reset plastic plug-in circuit breaker
55615BL	55615	15 Amp	15 Amp auto reset plastic plug-in circuit breaker
55620BL	55620	20 Amp	20 Amp auto reset plastic plug-in circuit breaker
55625BL	55625	25 Amp	25 Amp auto reset plastic plug-in circuit breaker
55630BL	55630	30 Amp	30 Amp auto reset plastic plug-in circuit breaker