

NARVA® Plug-in Manual
Reset Circuit Breaker
ATS blade fuse

www.narva.com.au

DESCRIPTION

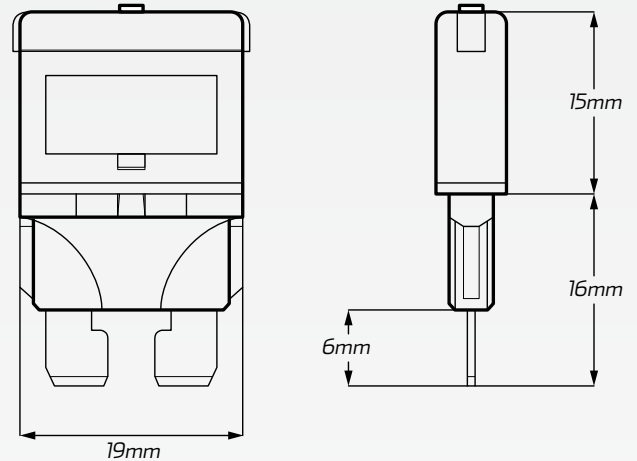
10 - 32 Volt manual reset (Type 3) plug-in circuit breaker.
A manual reset circuit breaker.
Resettable via a button located on top of the circuit breaker.
A direct replacement for the standard ATS blade fuse.



TECHNICAL SPECIFICATIONS

- Manual reset plug-in circuit breaker (Type 3)
- Suitable for 10 - 32 Volt applications
- A direct replacement for a standard ATS blade fuse
- Flame retardant. -30°C to 60°C operating temperature

Voltage	• 10 - 32 Volt
Circuit Function	• Automatic reset (Type 3)
Circuit Type	• Standard ATS blade fuse
Operating Temperature	• -30°C to 60°C



PART NUMBERS

Blister Part No.	5 Pack Part No.	Amperage	Description
55710BL	55710	10 Amp	10 Amp manual reset plastic plug-in circuit breaker
55715BL	55715	15 Amp	15 Amp manual reset plastic plug-in circuit breaker
55720BL	55720	20 Amp	20 Amp manual reset plastic plug-in circuit breaker
55725BL	55725	25 Amp	25 Amp manual reset plastic plug-in circuit breaker
55730BL	55730	30 Amp	30 Amp manual reset plastic plug-in circuit breaker