

NARVA® SPDT On/Off/On
Metal Toggle Switch
#60061BL

www.narva.com.au



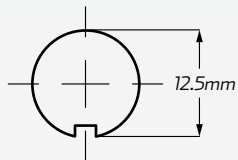
DESCRIPTION

SPDT On/Off/On Metal toggle switch with push on terminals.
Features silver contacts. Comes in a blister pack.
Amperage rating: 20A @ 12 Volt, 10A @ 24 Volt.

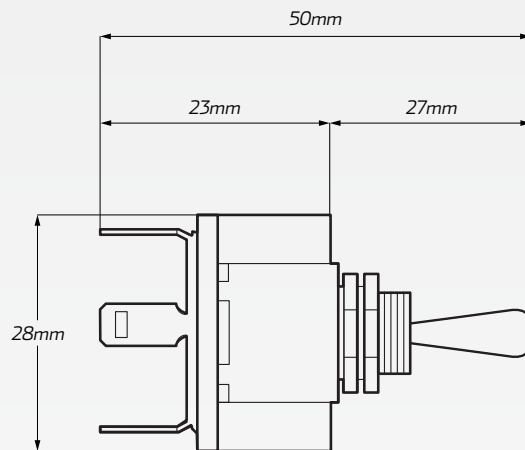
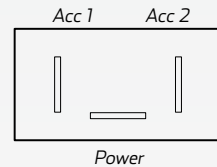
FEATURES

- 3 pin SPDT On/Off/On toggle switch
- Push on terminals
- Suitable for 12 Volt & 24 Volt applications
- Mounting diameter: 12.5mm dia
- Silver plated contacts

Panel Cut-out*



Wiring Diagram



TECHNICAL SPECIFICATIONS

Voltage	• 12/24 Volt	Terminal Material	• Silver contacts
Amperage Rating	• 20 Amp @ 12 Volt / 10 Amp @ 24 Volt	Mounting	• 12.5mm mounting dia
Switch Type	• SPDT (On/Off/On)	Dimensions	• 50mm W x 28mm L
Terminal Type	• Push on terminals		

TECHNICAL SPECIFICATIONS

Part Number	Voltage	Quantity	Description
60061BL	• 12/24 Volt	• Single (blister packed)	• 12/24V SPDT On/Off/On metal toggle switch. Comes in a blister pack.
60061/100	• 12/24 Volt	• Bulk pack of 100	• 12/24V SPDT On/Off/On metal toggle switch. Bulk pack of 100.