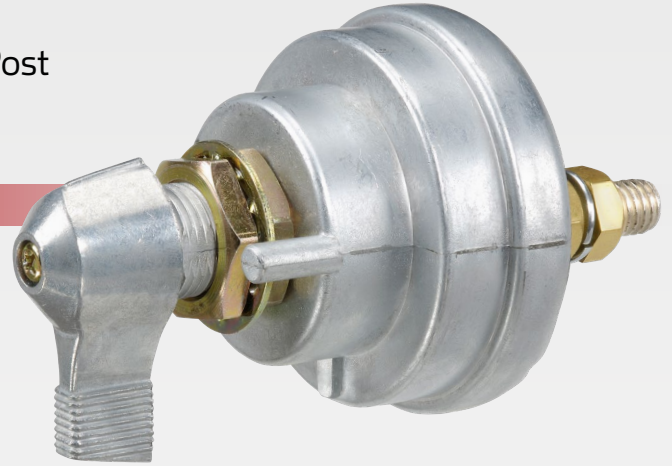


**NARVA®** Lever Type Isolator Switch with Indexing Post  
#61074 / 61075

www.narva.com.au

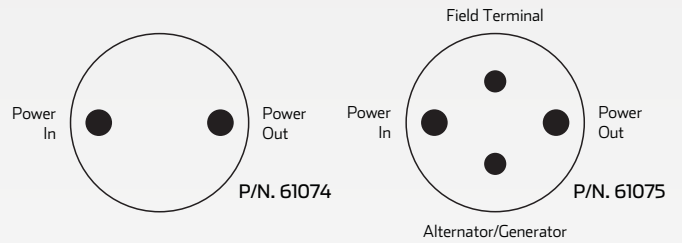


**DESCRIPTION**

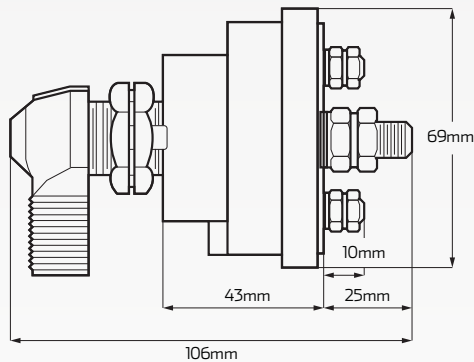
On/Off lever type battery isolator switch with indexing post.  
Accepts 12/24 Volt input. 180A max continuous load at 12V & 90A max continuous load at 24V current draw. 1000A intermittent at 12V, 500A intermittent at 24V for 20 seconds.  
19mm mounting diameter opening.

**FEATURES**

- Accepts 12/24 Voltage inputs
- Built-in indexing post to help align switch & prevent rotation
- Equipped with alternator/generator field circuit (61075 only)
- Rated at 180A @ 12V / 90A @ 24V continuous max load
- 1000A @ 12V intermittent rating for 20 seconds
- Suits 19mm mounting diameter



**TECHNICAL SPECIFICATIONS**



|                            |                                     |
|----------------------------|-------------------------------------|
| <b>Voltage</b>             | • 12/24 Volt inputs                 |
| <b>Maximum Amperage</b>    | • 1000A Intermittent @ 12V          |
| <b>Continuous Amperage</b> | • 180A @ 12V / 90A @ 24V            |
| <b>Small Terminals</b>     | • 20A @ 12V continuous (61075 only) |
| <b>Dimensions</b>          | • 106mm x 69mm Dia                  |
| <b>Mounting Dimensions</b> | • 19mm diameter                     |

**PART NUMBERS**

| Part Number. | Feature  | Descriptions   |
|--------------|--|--|
| 61074        | • Indexing post                                      | • 12-24V, 180A Continuous Lever Type Isolator Switch with Indexing Post              |
| 61075        | • Indexing post & Alternator/generator field circuit | • 12-24V, 180A Continuous Lever Type Isolator Switch with Indexing Post & Alternator |