

NARVA® 4 Pin Relays - Normally Open
THE VISION TO GO FURTHER
Sold Individually

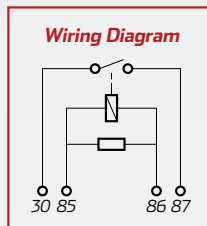
www.narva.com.au

DESCRIPTION

Normally open 4 pin relay. Meets ISO9001 requirements.
Suitable for wide range automotive or electrical applications.

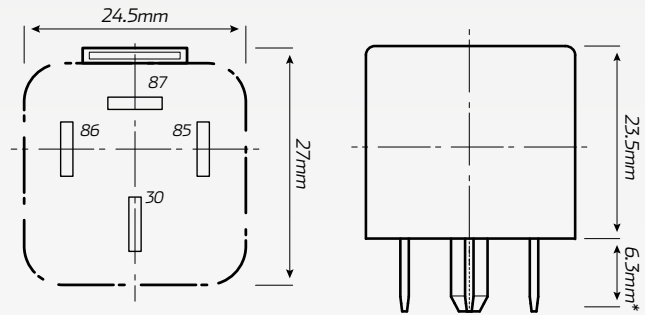
FEATURES:

- Up to 500,000 estimated cycles
- Silver contacts
- Removeable snap in metal mounting
- Braided power strap for increased reliability



TECHNICAL SPECIFICATIONS

Conductor Material	• High temperature wire
Contact Material	• Silver contacts
Mechanical Life	• Up to 500,000 cycles
Terminal Size	• 6.3mm*
Dimensions	• 23.5mm x 24.5mm x 27mm



*24V relays & 12V relays with over 50A are equipped with a 9.5mm pin (30 & 87 terminals)

PART NUMBERS

Part Number	Voltage	Amperage	Protection	Description
68000	12 Volt	40 Amp	-	12 Volt, 40 Amp 4 pin relay with mounting bracket
68004	12 Volt	40 Amp	Resistor	12 Volt, 40 Amp 4 pin relay with mounting bracket & resistor protection
68008	12 Volt	50 Amp	Resistor	12 Volt, 50 Amp 4 pin relay with mounting bracket & resistor protection
68012	12 Volt	70 Amp	Resistor	12 Volt, 70 Amp 4 pin relay with mounting bracket & resistor protection
68020	24 Volt	50 Amp	Resistor	24 Volt, 50 Amp 4 pin relay with mounting bracket & resistor protection