

NARVA® 5 Pin Relays - Normally Open
THE VISION TO GO FURTHER
Sold Individually

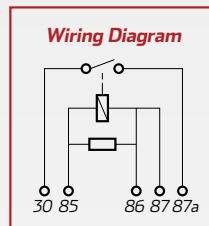
www.narva.com.au

DESCRIPTION

Normally open 5 pin relay. Meets ISO9001 requirements.
Suitable for wide range automotive or electrical applications.

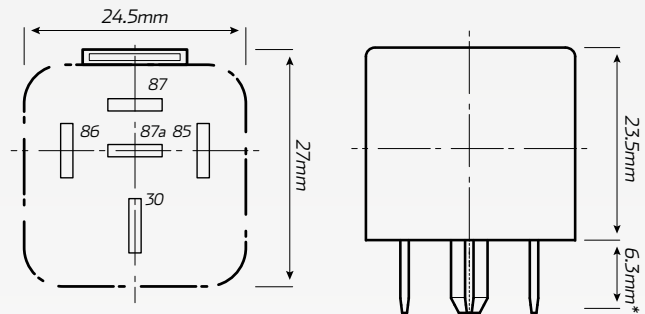
FEATURES:

- Up to 500,000 estimated cycles
- Silver contacts
- Removeable snap in metal mounting
- Braided power strap for increased reliability



TECHNICAL SPECIFICATIONS

Conductor Material	• High temperature wire
Contact Material	• Silver contacts
Mechanical Life	• Up to 500,000 cycles
Terminal Size	• 6.3mm
Dimensions	• 23.5mm x 24.5mm x 27mm



PART NUMBERS

Part Number	Voltage	Amperage	Protection	Description
68028	12 Volt	40 Amp	Resistor	12 Volt, 40 Amp 5 pin relay with mounting bracket & resistor protection
68032	12 Volt	40 Amp	Diode	12 Volt, 40 Amp 5 pin relay with mounting bracket & diode protection
68036	24 Volt	30 Amp	Resistor	24 Volt, 30 Amp 5 pin relay with mounting bracket & resistor protection
68040	24 Volt	30 Amp	Diode	24 Volt, 30 Amp 5 pin relay with mounting bracket & diode protection