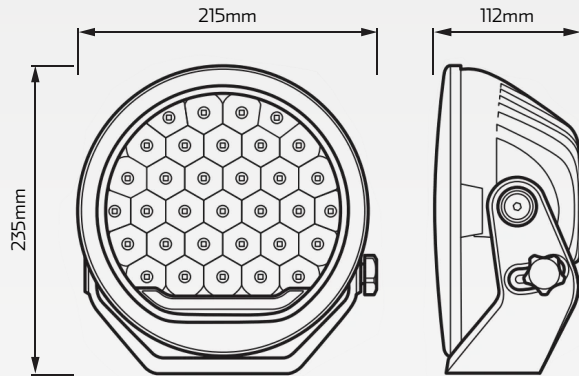


NARVA® 9-33 Volt, Ultima
THE VISION TO GO FURTHER MK3 Driving Light Kit
#71744

www.narva.com.au

DESCRIPTION

9-33V, 165W Ultima MK3 LED Driving Light. These lights produces up to 19,012lm (boost) of exceptional beam pattern that are 20% brighter, casting up to 1,210m @ 1 lux. Equipped with a fully sealed die-cast housing with IP68+IP69K rated protection, UV resistant hard coating and virtually unbreakable polycarbonate lens. Compatible with Ultima Connect+ allowing a total control over beam shape. Comes with a no fault warranty.



Extra user customization of 7 different colour trims. Redeemable at no extra charge!

TECHNICAL SPECIFICATIONS

Input Voltage	• 9 - 33 Volt DC
Current Draw	• 29.8A at 13.5 Volt
Wattage	• 165 Watts
LED Count	• 33 x 5W High powered LED's
Lumen Rating	• 18,092lm / 19,012lm (boost)
Colour Temperature	• 5700K
Operating Temperature	• -40°C to 65°C

Body Materials	• Pressure die-cast aluminium
Lens Material	• Hard coated / UV-resistant polycarbonate
Bracket Material	• Pressure die-cast bracket
Dimensions	• 215mm W x 235mm H x 112mm D
IP Rating	• IP68 & IP69K rated
Features	<ul style="list-style-type: none"> • Tool free vertical adjustment • Gore-Tex® breather vent • LED front position light pipe

BEAM COVERAGE (hybrid pair)

