

NARVA® LED 7" (178mm)
Headlamp Convesion Kit
#72106

www.narva.com.au

DESCRIPTION

9-33V, LED 7" (178mm) high beam headlamp insert with DRL function. Bright white 6000K light output.

Features high impact polycarbonate lens, impact and corrosion resistant die-cast aluminium housing and free-form reflector.

Fully sealed weatherproof up to IP68. ECE and ADR approved.



FEATURES

- Produces intense white light beam
- Shock and vibration resistance
- Equipped with polycarbonate lens & aluminium housing
- ECE, ADR approved
- Weatherproof up to IP68 & IP69K rating
- Pre-wired with H4 connector for easy fitting
- 5 year LED warranty



High Beam



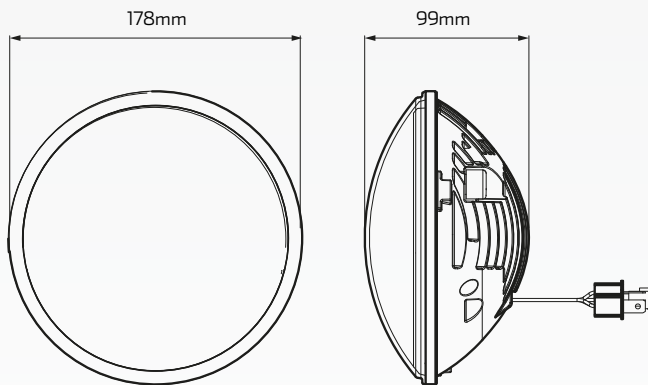
Position Light



Day Time Running Light

TECHNICAL SPECIFICATIONS

Dimensions



Voltage	• 9 - 33 Volt
Current Draw	• Low Beam: 2.7A @ 12V / 1.3A @ 24V
Lens Material	• Polycarbonate lens
Housing Material	• Die-cast aluminium housing
Dimensions	• 178mm diameter x 99mm deep
Wiring	• Pre-wired H4 connector
IP Rating	• IP68 & IP69K rated
Approvals	<ul style="list-style-type: none"> • ADR 46/00 CRN E24-112R-016135 • ADR 76/00 CRN E24-87R-006135 • ADR 49/00 CRN E24-7R-026129