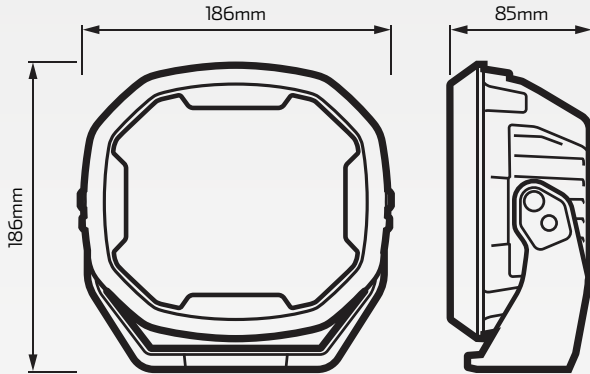


**NARVA®** 12/24 Volt, 7" EX2  
THE VISION TO GO FURTHER Driving Light Kit  
#72172

www.narva.com.au

**DESCRIPTION**

9-33V, 7" EX2 LED Driving Light. These lights produces up to 8,160lm of exceptional beam pattern (460m @ 1 lux) with increased width for improved safety. Equipped with clever harness installation system for an extra easy installation & durable IP68 & IP69K protected rugged build quality. Features an extensive customization options of 8 trim colours redeemable online free of charge! Includes 7 year manufacturer warranty.

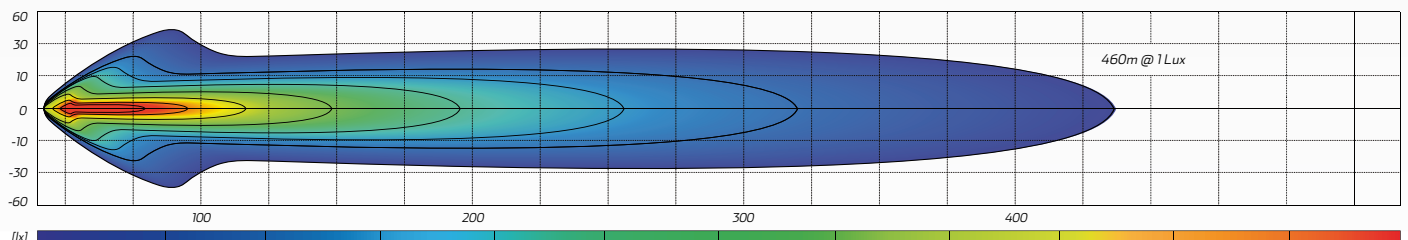


EX2 range comes with customisation option at no extra charge. Redeemable via QR code online!

**TECHNICAL SPECIFICATIONS** (Single Light)

<b>Input Voltage</b>	• 9 - 33 Volt DC	<b>Colour Rendering Index</b>	• 70
<b>Current Draw</b>	• 5.78A at 13.5 Volt / 2.79A at 28 Volt	<b>Body Materials</b>	• Pressure die-cast aluminium
<b>Wattage</b>	• 120 Watts	<b>Lens Material</b>	• Hard coated polycarbonate
<b>LED Count</b>	• 24 x 5W CREE LED's	<b>Bracket Material</b>	• Nylon +30% glass filled
<b>Lumen Rating</b>	• Raw: 8,160lm / Eff: 6,000lm	<b>Dimensions</b>	• 186mm W x 186mm H x 85mm D
<b>Colour Temperature</b>	• 5700K +/-5%	<b>Protection</b>	• Reverse polarity protection • Over and under voltage protection
<b>Operating Temperature</b>	• -40°C to 60°C	<b>IP Rating</b>	• IP68 & IP69K rated
<b>Approvals</b>	• ECE R10, RCM approved		

**BEAM COVERAGE**



**DRIVING**

