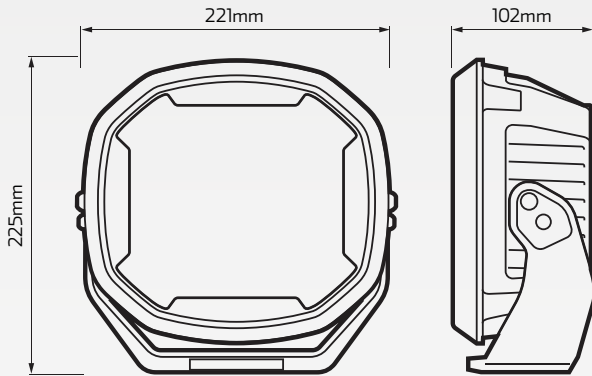


NARVA® 12/24 Volt, 9" EX2
Driving Light Kit
#72182

www.narva.com.au

DESCRIPTION

9-33V, 9" EX2 LED Driving Light. These lights produces up to 13,600lm of exceptional beam pattern (700m @ 1 lux) with increased width for improved safety. Equipped with clever harness installation system for an extra easy installation & durable IP68 & IP69K protected rugged build quality. Features an extensive customization options of 8 trim colours redeemable online free of charge! Includes 7 year manufacturer warranty.

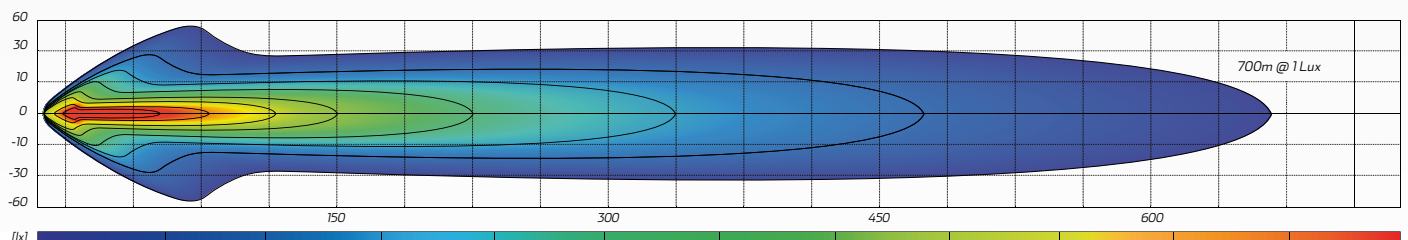


EX2 range comes with customisation option at no extra charge. Redeemable via QR code online!

TECHNICAL SPECIFICATIONS (Single Light)

Input Voltage	• 9 - 33 Volt DC	Colour Rendering Index	• 70
Current Draw	• 9.62A at 13.5 Volt / 4.64A at 28 Volt	Body Materials	• Pressure die-cast aluminium
Wattage	• 200 Watts	Lens Material	• Hard coated polycarbonate
LED Count	• 40 x 5W CREE LED's	Bracket Material	• Nylon +30% glass filled
Lumen Rating	• Raw: 13,600lm / Eff: 9,700lm	Dimensions	• 221mm W x 225mm H x 102mm D
Colour Temperature	• 5700K +/-5%	Protection	• Reverse polarity protection • Over and under voltage protection
Operating Temperature	• -40°C to 60°C	IP Rating	• IP68 & IP69K rated
Approvals	• ECE R10, RCM approved		

BEAM COVERAGE



DRIVING

