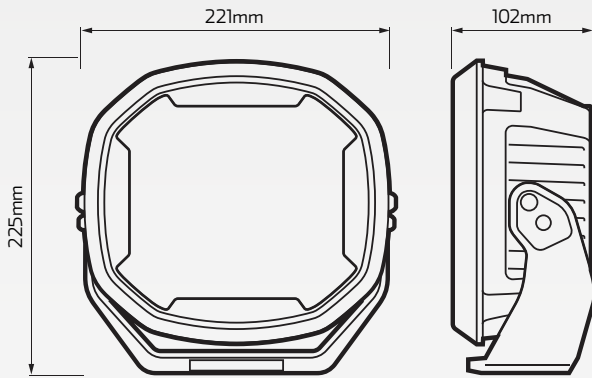


NARVA® 12/24 Volt, 9" EX2-R
THE VISION TO GO FURTHER Driving Light Kit
#72184

www.narva.com.au

DESCRIPTION

9-33V, 9" EX2-R LED Driving Light. These lights produces up to 13,600lm of exceptional beam pattern (700m @ 1 lux) with increased width for improved safety. Equipped with clever harness installation system for an extra easy installation & durable IP68 & IP69K protected rugged build quality. Features ADR approved white front position lights with RGB technology, offering a choice of 48 colours. 7 year manufacturer warranty.



EX2 range comes with customisation option at no extra charge. Redeemable via QR code online!

TECHNICAL SPECIFICATIONS (Single Light)

Input Voltage	• 9 - 33 Volt DC
Current Draw	• 9.62A at 13.5 Volt / 4.64A at 28 Volt
Wattage	• 200 Watts
LED Count	• 40 x 5W CREE LED's
Lumen Rating	• Raw: 13,600lm / Eff: 9,700lm
Colour Temperature	• 5700K +/-5%
Operating Temperature	• -40°C to 60°C
Approvals	• ECE R10, RCM approved

Colour Rendering Index	• 70
Body Materials	• Pressure die-cast aluminium
Lens Material	• Hard coated polycarbonate
Bracket Material	• Nylon +30% glass filled
Dimensions	• 221mm W x 225mm H x 102mm D
Protection	• Reverse polarity protection • Over and under voltage protection
IP Rating	• IP68 & IP69K rated

BEAM COVERAGE

