

NARVA® 10W Flood Beam
LED Worklight
THE VISION TO GO FURTHER #72446

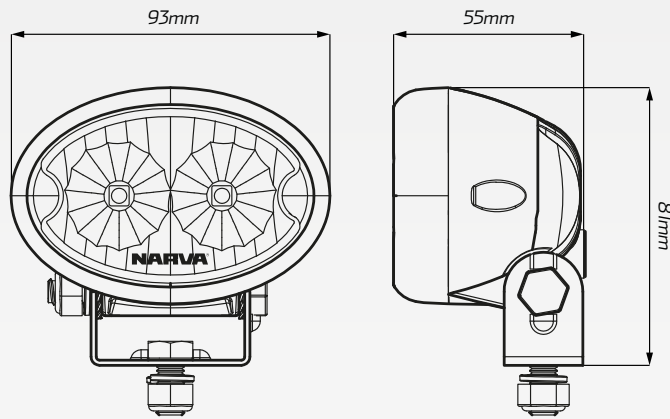
www.narva.com.au

DESCRIPTION

Compact yet powerful, the 72446 is an ideal close range flood beam work light. Featuring two powerful 5W high powered LED producing up to 900 lumens, these lights are the perfect option for strong illumination where space are limited.

Powder coated aluminum housing and virtually unbreakable polycarbonate lens. Fully sealed IP66 water and dust protections.

Comes with a stainless steel mounting bracket.

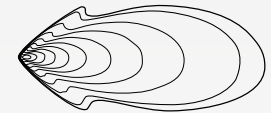


Also available in white
P/N 72446W

ACCESSORIES

- 1 x Clear polycarbonate lens
- 1 x Mounting bracket

FLOOD



TECHNICAL SPECIFICATIONS

Voltage Range	• 9-64 Volt
Wattage	• 10 Watt
Current Draw	• 0.58A @ 12V, 0.3A @ 24V
Lumens	• 900 lumens
LED Count	• 2 x 5W LED
Beam Coverage	• Flood beam
Estimated Lifespan	• 50,000 hours
IP Rating	• IP66 rated
Housing Materials	• Powder coated aluminum housing
Lens Material	• Polycarbonate lens

BEAM COVERAGE

At a 12° angle (2.5m high)

