



Cole Hersee Co. #75930

www.colehersee.com.au

32 Volt, 300A DPST Battery Master Switch



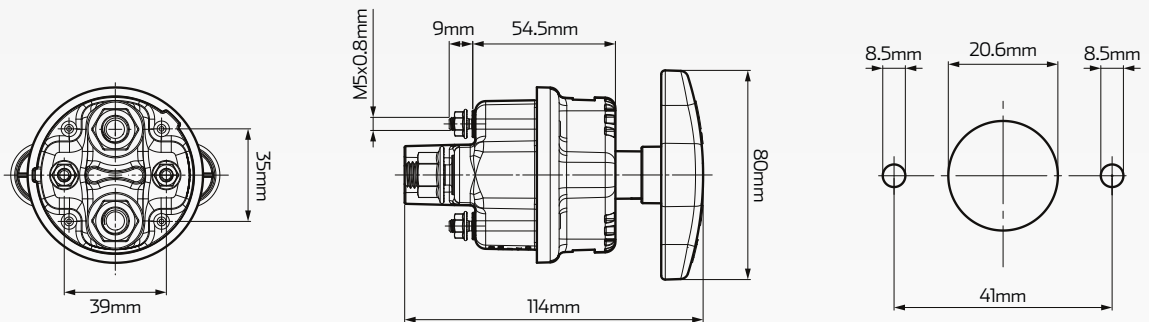
DESCRIPTION

DPST Battery master disconnect switch with auxiliary contact and built in lockout, a retro fit to 75910. IP67 /IPX9K rated dust, debris and water protection. Designed for safely cutting off battery power to all electrical systems aboard heavy duty vehicles and equipment use in mining, agriculture, construction, and transportation.

TECHNICAL SPECIFICATIONS

Max. Voltage Rating	• 32 Volt DC	Hardware	• Stainless steel
Continuous Current	• 200A with 90mm ² Cables • 300A with 120mm ² Cables	IP Rating	• IP67 / IPX9K
In Rush Current	• 500A per 60s at 23°C • 1,000A per 15s at 23°C	ISO Standard	• 16750 - 4
Actuator	• Removeable handle	Output Terminals	• 2 x M10
Housing	• Engineered polymer	Reco. Torque	• M10, 18 +/- 2Nm
Circuitry	• DPST	Operating Temp	• 40°C to 85°C
Contacts	• Copper	Terminal Size	• M10 x 90mm ²
		Dimensions	• 114mm x 80mm

Dimensions



PART NUMBERS

Part Number.	Colour	Description
75930-01BL	• Red Lockout	• 32V, 300A DPST Battery Master Switch with built in red lockout.
75930-02BL	• Yellow Lockout	• 32V, 300A DPST Battery Master Switch with built in yellow lockout.
75930-03BL	• Black Lockout	• 32V, 300A DPST Battery Master Switch with built in black lockout.