



9-32 Volt Low Profile Marker Lamp
#77 Series

www.ledautolamps.com



DESCRIPTION

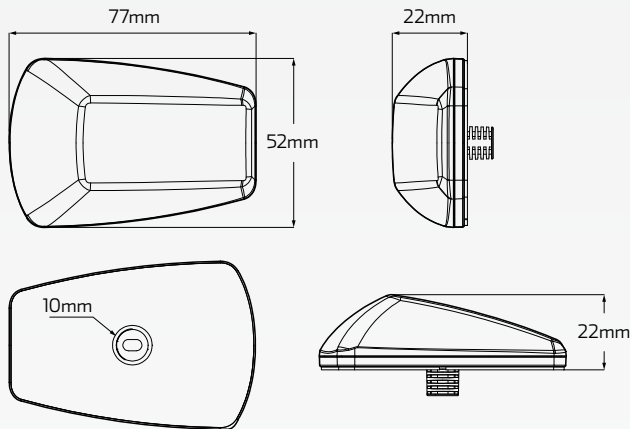
Low profile, compact design marker lamp. Suitable for vehicle GVM upgrade. Accepts 9-32 Volt connection with low Amperage draw. Equipped with easy fit 3M tape installation and plug. Rated IP67 water & dust proof protection. Polycarbonate lens & base.

Available in amber or clear LED single blister packs.

FEATURES

- Low profile & compact design
- Suitable for vehicle GVM upgrade. Supplementary roof cab marker
- Multi-volt: 9 - 32 Volt applications
- Features easy to fit 3M tape for ease of installation
- Pre-wired with 300mm cable
- IP67 water & dust proof protection
- Rugged polycarbonate lens & base build material.
- Comes with 5 year manufacturer warranty

TECHNICAL SPECIFICATIONS



Voltage Range	• 9 - 32 Volt
Function	• Supplementary cab marker
Current Draw	• 0.12A @ 13.8V / 0.08A @ 28V
LED Count	• 3 high powered LED's
Pre-wired Cable	• 300mm cable
Lens Material	• Polycarbonate lens
Base Material	• Polycarbonate base

PART NUMBERS

Part Number.	Quantity	Function	Description
77ACM	• 1 Lamp (blister pack)	• Amber side marker lamp	• 9 - 32 Volt amber side marker lamp. Blister packed.
77ACM2	• 2 Lamp (twin blister pack)	• Amber side marker lamp	• 9 - 32 Volt amber side marker lamp. Twin blister packed.
77WCM	• 1 Lamp (blister pack)	• Clear front marker lamp	• 9 - 32 Volt clear front marker lamp. Blister packed.