

**NARVA®**  
THE VISION TO GO FURTHER

Eurotech Mini LED  
Amber Light Box  
#85010A-1

www.narva.com.au



**DESCRIPTION**

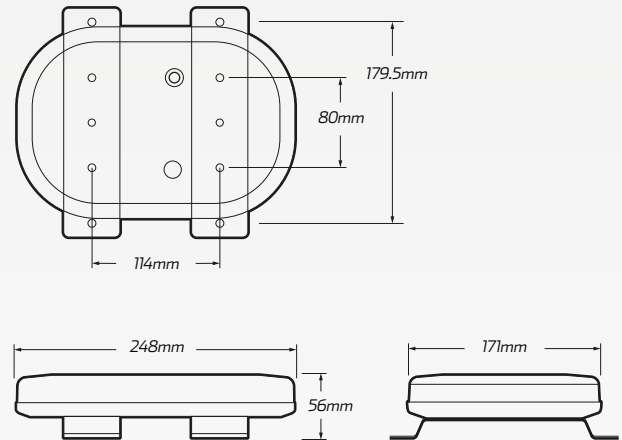
12/24 Volt Eurotech mini LED light box with amber lens. Features SAE class 1 approval, increased brightness due to all new optics, extreme environmental resistance and ultra low profile, able to be mounted with or without the mounting bracket.

8 selectable flash patterns. IP67 rated protection.  
ECE R65 Class 2 approved with life time no fault warranty.

**FEATURES**

- SAE Class 1 & ECE R65 Class 2 approved
- Vibration rating & Day / Night mode
- Extreme environmental resistance, sealed to IP67 rated weatherproof protection
- Low profile mounting via brackets or direct to vehicle
- Lifetime no fault manufacturer warranty

**FLASH PATTERNS**



**FLASH PATTERNS**

1	• Single (constantly on)	5	• Quint rotating
2	• Double (all flashing) SAE	6	• Rotating
3	• Ultra (alternate flashing)	7	• Ultra (all/alt. flash)
4	• Ultra (cross flashing)	8	• Ultra-double (all. flash)

**TECHNICAL SPECIFICATIONS**

<b>Voltage</b>	• 12/24 Volt
<b>Peak Current Draw</b>	• 3.6 Amp @ 12 Volt
<b>IP Rating</b>	• IP67 rated
<b>Operating Temperature</b>	• -30°C to 60°C
<b>Night Mode Percentage</b>	• 30%

<b>Dimensions</b>	• 248mm (L) x 171mm (W) x 56mm (H)
<b>Lens Colour</b>	• Amber lens
<b>Cable Length</b>	• 2 metres
<b>Approvals</b>	• SAE Class 1, ECE R65 Class 2 & Level 3 radio safe
<b>Supersedes</b>	• 85010A