

**NARVA®** 'Pulse II' LED Clear Lens Strobing Beacon  
THE VISION TO GO FURTHER #85246AC

www.narva.com.au



**DESCRIPTION**

12/24V SAE Class 1 'Pulse II' LED strobing beacon is the new generation of Narva's Pulse strobe range. Up to 5 times brighter light output and improved IP69K rating than it's previous generation.

Equipped with 8 different flash patterns. Extremely durable with rugged heavy duty die-cast base, polycarbonate lens & vibration resistance solid state circuitry. CISPR25 Class 3 & SAE Class 1 approved.

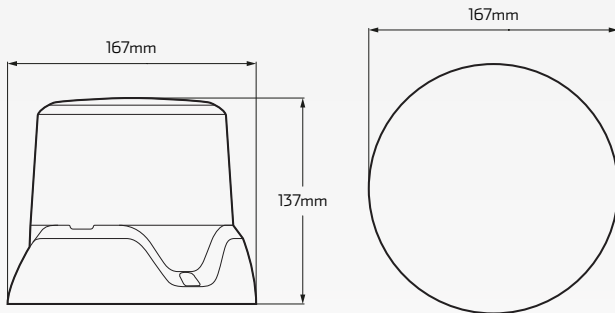
**FEATURES**

- Multivolt, 12/24 Volt input voltage
- SAE Class 1 & CISPR25 Class 3 approved
- Rugged die-cast base, polycarbonate lens & solid state circuitry
- Up to 5 times brighter than first generation 'Pulse' strobe
- IP69K weather and dust proof protection

**FLASH PATTERNS**

No.	Flash Patterns
1	• Single flash
2	• Quad flash
3	• Quint flash (SAE)
4	• Ultra flash
5	• Steady on
6	• Rotator (125 rates per minute) (SAE)
7	• Rotator (94 rates per minute)
8	• Rotator quint flash (SAE)

**DIMENSIONS**



**TECHNICAL SPECIFICATIONS**

<b>Input Voltage</b>	• 12 / 24 Volt
<b>IP Rating</b>	• IP69K rated
<b>Base Material</b>	• Heavy duty die-cast
<b>Lens Material</b>	• Polycarbonate lens
<b>Lens Colour</b>	• Clear lens
<b>Mounting Type</b>	• Flange mount

<b>Dimensions</b>	• 167mm Dia x 137mm H
<b>Flash Colour</b>	• Amber
<b>Flash Patterns</b>	• 8 flash patterns
<b>Warranty</b>	• 10 year manufacturer warranty
<b>Approvals</b>	• SAE Class 1 approved • CISPR25 Class 3