

NARVA® Aerotech Strobing
LED Amber Beacon
#85606A

www.narva.com.au



DESCRIPTION

Aerotech LED strobing amber beacon. This LED beacon from Narva are engineered specifically to withstand Australia's harsh weather and conditions. Featuring new aerodynamic technology for a smoother airflow around the beacon, resulting in less air drag and wind noise when driving whilst providing a greater visibility area.

Comes with 7 year manufacturer warranty.

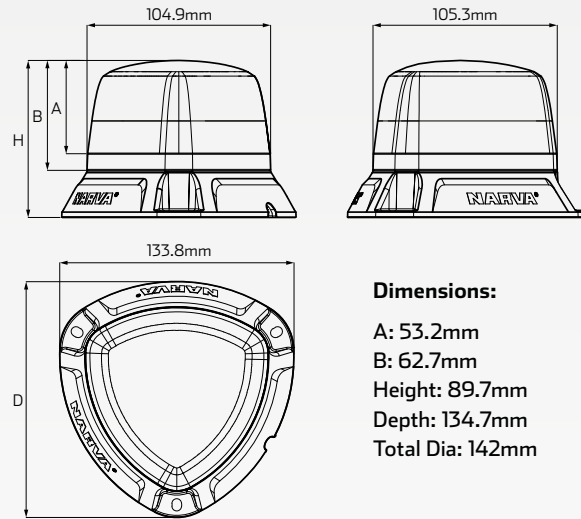
FEATURES

- Multivolt, 10 - 33 Volt input voltage
- SAE Class 1 & CISPR25 Class 3 approved
- Engineered to provide a smoother aerodynamics, 60% less air drag
- Increase visibility with a greater horizontal surface area
- Rugged and durable & up to 7 year warranty

FLASH PATTERNS

No.1	• Rotator (Default) (SAE) (R65 TA2)
No.2	• Clockwise Rotator (SAE)
No.3	• Steady on
No.4	• Double Flash (SAE) (R65 TA1)
No.5	• Quint Flash

DIMENSIONS



TECHNICAL SPECIFICATIONS

Input Voltage	• 10 to 33 Volt
LED Count	• 18 x 5W high powered LED
Current Draw	• 1A, 1.6A @ 12V
IP Rating	• IP67 rated
Operating Temperature	• -30°C to 60°C
Dimensions	• 142mm D x 88mm H

Lens Material	• Makrolon 2607 Polycarbonate
Housing Material	• Polycarbonate
Vibration Test	• IEC 60068-2-64
Mechanical Shock Test	• ISO 16750-3:2007 4.2.2
Approvals	<ul style="list-style-type: none"> • SAE J845 Class 1, W3-1 • CISPR25 Class 3 • ECE R65 TA2 E9 00.6618 - Rotate • ECE R65 TA1 E9 00.6618 - Flash