

NARVA® 'Optimax' LED Amber
Magnetic Rotating Beacon
#85668A

www.narva.com.au



DESCRIPTION

10-33 Volt, SAE Class 1 'Optimax' LED magnetic mount beacon are equipped with propriety reflector optic to produce smooth, highly visible rotating patterns.

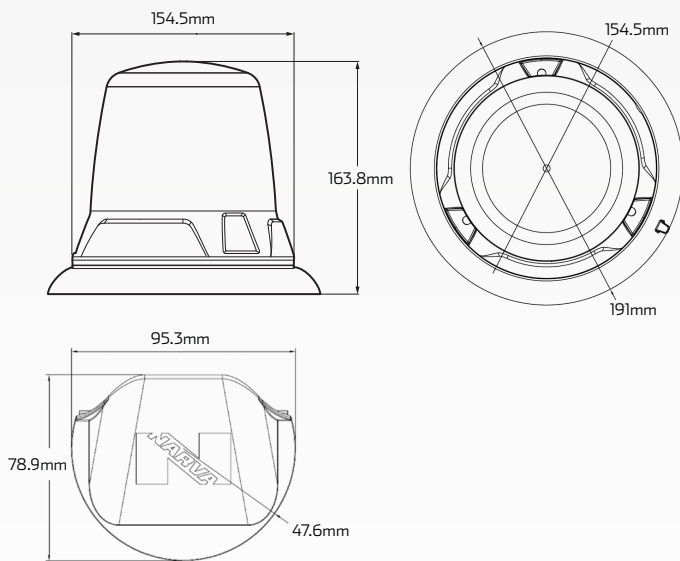
Equipped with 6 x 5W high powered LED's in a highly durable aluminium die-cast base & virtually unbreakable polycarbonate lens. IP67 dust & weatherproof protection.

FEATURES

- Multivolt, 10-33 Volt input voltage
- Low current draw than halogen beacons
- Equipped with 6 x 5W high powered LED's
- Designed to provide excellent visibility in all conditions
- Rugged die-cast aluminium base & polycarbonate lens
- IP67 weather and dust proof protection
- Vibration resistant stepper motor & over voltage protection

TECHNICAL SPECIFICATIONS

DIMENSIONS



Input Voltage	• 10-33 Volt
LED Count	• 6 x 5W high powered LED's
Current Draw	• 1A @ 12 Volt
Lens Material	• Makrolon 2607 Polycarbonate
Housing Material	• Die-cast aluminium
Lens/Output Colour	• Amber/Amber
IP Rating	• IP67 rated
Dimensions	• 164mm H x 154mm Dia
Operating Temperature	• -30°C to 60°C
Approvals	<ul style="list-style-type: none"> • SAE J845 Class 1, W3-1, CISPR25 Class 3 • ECE R10 10R-06.22895 • RoHS, REACH approved • Vibration Res: IEC 60068-2-64 • Shock: ISO 16750-3:2007 4.2.2