

NARVA® Model 70
THE VISION TO GO FURTHER
Combination Lamps
#97000 / #97010

www.narva.com.au



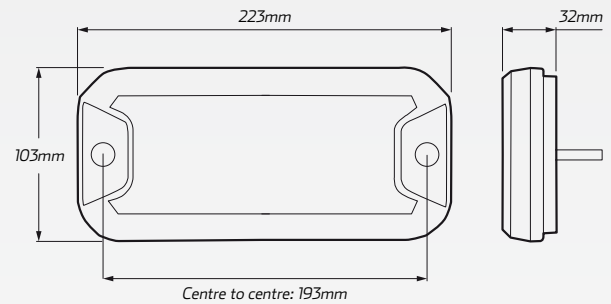
DESCRIPTION

9-33 Volt LED model 70 combination lamp with built in reflector. Features a hardened acrylic lens, ensuring protection against chemical and UV. Equipped with IP68 + IP69K weatherproof protection, vibration resistance and a 0.5m hard wired cable.

Ideal for just about any applications.
Mounted from the front in key 222 x 96mm footprint

FEATURES

- Model 70, 9 - 33 Volt LED combination rear lamp series
- Equipped with hardened acrylic lens providing protection against chemical & UV resistance
- More space for each functions compared to other similar lamps
- ADR approved & IP68 + IP69K rated protection
- Signature tail light pipe, stylish appearance at night
- Mounted from the front in key 222 x 96mm footprints
- Pre-wired with 0.5m hard wire cable



TECHNICAL SPECIFICATIONS

Voltage	• 9 - 33 Volt	Dimensions	• 223mm L x 103mm W x 32mm D
IP Rating	• IP68 + IP69K rated	Mounting	• 193mm centre to centre
Cable Wiring	• Pre-wired with 0.5m hard wire cable	Current Draw	• Indicator: 0.2 Amps at 12 Volt • Tail: 0.3 Amps at 12 Volt • Stop: 0.2 Amps at 12 Volt • Reverse: 0.1 Amps at 12 Volt
Lens Material	• Hardened acrylic lens		

PART NUMBERS

Part Number.	Combination	Approvals	Description
97000	• Stop/tail & Indicator lamp	• ADR 6/00, 47/00, 49/00	• 9-33 Volt LED stop/tail & indicator model 70 lamp. Sold individually.
97000/4		• ADR 6/00, 47/00, 49/00	• 9-33 Volt LED stop/tail & indicator model 70 lamp. Bulk pack of 4.
97010	• Stop/tail, Indicator & reverse lamp	• ADR 1/00, 6/00, 47/00, 49/00	• 9-33 Volt LED stop/tail, ind & reverse model 70 lamp. Sold individually.
97010/4		• ADR 1/00, 6/00, 47/00, 49/00	• 9-33 Volt LED stop/tail, ind & reverse model 70 lamp. Bulk pack of 4.