

IONNIC | 22W LED Worklight with Handle - Flood Beam

www.ionnic.com

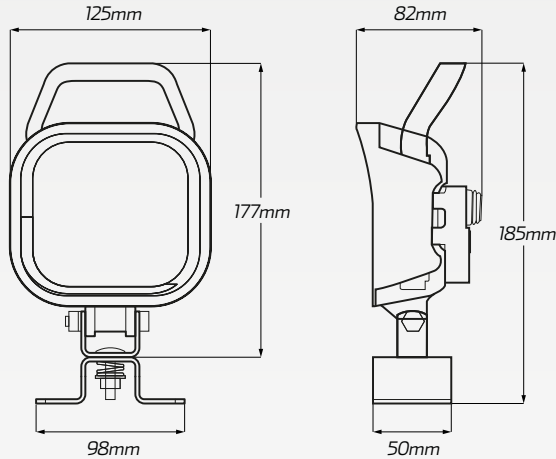
#98-2100

DESCRIPTION

12-36V, 22W LED flood beam worklight with adjusting handle. Equipped with 9 x SMD high powered LED's producing up to 1,490 Lumens at 6500K. Features a spring tensioned bracket and integrated rocker switch with sealing boot for a convenient on-site use & adjustments.

Incredibly rugged with its impact resistant lens and environmentally sealed aluminium body. Pre-wired with 280mm Deutsch DT 2 pin connected. IP67 rated.

Comes with 3 year manufacturer warranty.

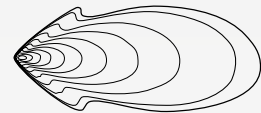


Spring tensioned bracket for easy adjustment

ACCESSORIES

- 1 x In-built Deutsch connector
- 1 x Spring tensioned mounting bracket

FLOOD



TECHNICAL SPECIFICATIONS

Voltage Range	• 12-36 Volt
Wattage	• 22 Watt
Current Draw	• 1.4A @ 13V
Lumens	• 1,490lm
LED Count	• 9 x SMD High Powered LED's
Beam Coverage	• Flood Beam
Estimated Lifespan	• 30,000 Hours
IP Rating	• IP67 Rated
Operating Temperature	• -30°C to 50°C
Colour Temperature	• 6500K
Built Materials	• Aluminium housing, polycarbonate lens
Wiring	• 280mm Pre-wired Deutsch 2 Pin

BEAM COVERAGE

At a 15° angle (2.5m high)

