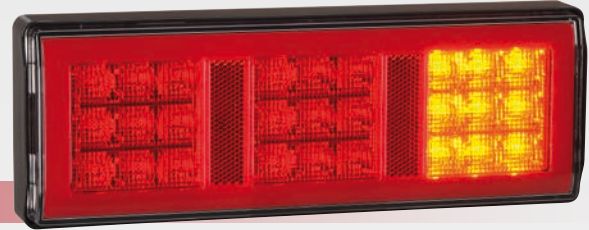


NARVA® Model 82
THE VISION TO GO FURTHER
Combination Lamps
#98202 / #98210

www.narva.com.au



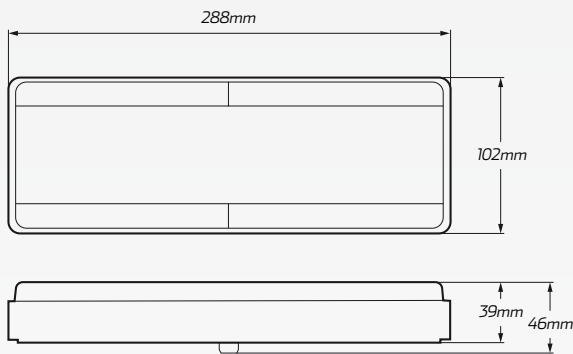
DESCRIPTION

9-33 Volt LED model 82 combination lamp with built in reflector. Features a hardened acrylic lens that are 2 times more impact resistant than regular PMMA. Equipped with IP68 + IP69K weatherproof protection and a 0.5m hard wired cable.

Versatile snap in base mounting for ease of installation. Ideal for just about any light and commercial applications.

TECHNICAL SPECIFICATIONS

- Equipped with hardened acrylic lens that are 2 times more impact resistant than standard PMMA
- Features a precision design that guarantees ultra long life
- Designed and styled to carry on legacy of model 42
- Fitted with high grade retro reflectors, increasing visibility even when the lights are not illuminated
- Easy and versatile snap-in base mounting
- Engineered, manufactured and tested at Narva's korean factory



| | |
|----------------------|--|
| Voltage | • 9 - 33 Volt |
| IP Rating | • IP68 + IP69K rated |
| Cable Wiring | • Pre-wired with 0.5m hard wire cable |
| Lens Material | • Hardened acrylic lens |
| Dimensions | • 288mm L x 102mm W x 46mm D |
| Mounting | • Snap in black base |
| Warranty | • 7 year manufacturer warranty |
| Current Draw | <ul style="list-style-type: none"> • Tail: 0.02 Amps at 9 - 33 Volt • Stop: 0.3 Amps at 9 - 33 Volt • Indicator: 0.1 Amps at 9 -33 Volt • Reverse: 0.07 at 9 - 33 Volt |

PART NUMBERS

| Part Number. | Combination | Approvals | Description |
|--------------|---------------------------------------|--------------------------------|---|
| 98202 | • Stop/tail & Indicator lamp | • ADR 6/00, 47/00, 49/00 | • 9-33 Volt LED stop/tail & indicator model 82 lamp. |
| 98202/4 | | • ADR 6/00, 47/00, 49/00 | • 9-33 Volt LED stop/tail & indicator model 82 lamp. Bulk pack of 4. |
| 98210 | • Stop/tail, Indicator & reverse lamp | • ADR 1/00, 6/00, 47/00, 49/00 | • 9-33 Volt LED stop/tail, ind & reverse model 82 lamp. |
| 98210/4 | | • ADR 1/00, 6/00, 47/00, 49/00 | • 9-33 Volt LED stop/tail, ind & reverse model 82 lamp. Bulk pack of 4. |