

Britax H1 Amber Rotating Halogen Beacon
#B20-00

www.britaxbeacons.com.au

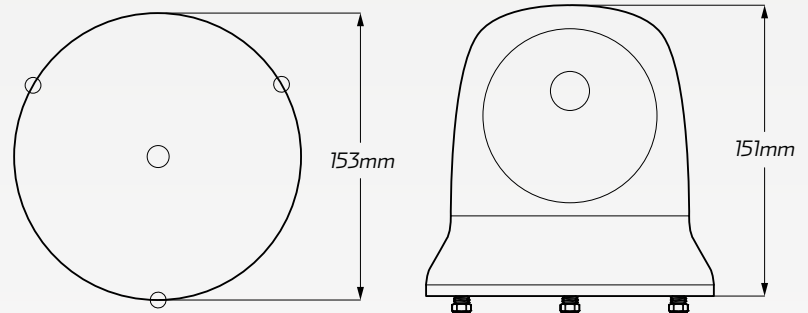


DESCRIPTION

12 Volt, amber rotating beacon. Suits 12V H1 P14.5s halogen globe.
Features a quick release bulb system & twist to lock style lens for ease of bulb replacement. Impact resistant, rugged polycarbonate lens and ABS base. 160 nominal flash rate. IP56 rated dust & water resistant.
Ideal for use with commercial and construction vehicles.

FEATURES

- Class 1, 12 Volt amber rotating beacon
- 160 nominal flash rate
- Suits H1 halogen globes (included)
- Integrated low friction reflector module
- Rugged polycarbonate lens and ABS base
- IP56 rated dust & water resistant
- Quick release with twist to lock style lens
- 3 bolt mounting



TECHNICAL SPECIFICATIONS

Voltage	• 12 Volt
Wattage	• 55 Watt
Current Draw	• 4.6 Amp @ 12 Volt DC
Halogen Type	• H1 P14.5s halogen globe
Colour	• Amber

Lens Material	• Polycarbonate lens
Base Material	• ABS base
Mounting	• 3 bolt mount
Dimensions	• 151mm (H) x 153mm (Ø)
Approvals	• SAE Class 1, ECE Reg 65, EMC ISO 13766