

BLAUPUNKT 4" (100mm) 4-Way Slimline Speaker
www.blaupunkt.com #BGX4404

DESCRIPTION

Blaupunkt 4" (100mm) slimline speakers. Features frequency response of 100Hz - 20,000Hz & nominal impedance: 4 OHM. 45W max. power handling. 15W recommended amplification. 47mm mounting depth. 85dB/SPL speaker sensitivity rating. 25mm voice coil, equipped to handle more power, resulting in a louder sound. Comes with mounting accessories.



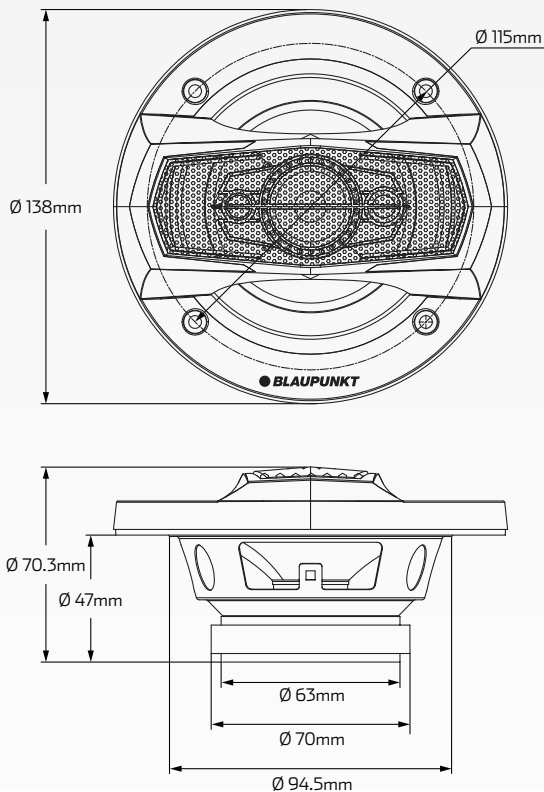
FEATURES

- 4" (100mm) 4-way slimline quadaxial speaker
- PP Injected cone with included mounting accessories
- 45W max. power handling, 15W recommended power (RMS)
- 25mm voice coil, able to handle more power resulting in louder sound
- 47mm mounting depth, 115mm diameter hole

Comprises:

- 2 x Speakers - Black
- 2 x Speaker wire
- 8 x M-type screws
- 8 x Cable clips

TECHNICAL SPECIFICATIONS



Speaker System	• 4-way quadaxial
Driver Size	• 4" (100mm) diameter
Driver Material	• PP injected cone
Max. Power Handling	• 45 Watt
RMS Power Handling	• 15 Watt
Frequency Response	• 100 - 20,000 Hz
Sensitivity	• 85dB
Nominal Impedance	• 4 Ohm
Voice Coil	• 25mm coil
Total Speaker Diameter	• 138mm diameter
Mounting Depth	• 47mm mounting depth
Diameter Hole	• 115mm diameter
Accessories	<ul style="list-style-type: none"> • 8 x M-type screws • 8 x Cable clips • 2 x 1.8m wire harness