

**QVEE** Round Beacon  
Mounting Bracket  
#BRK1

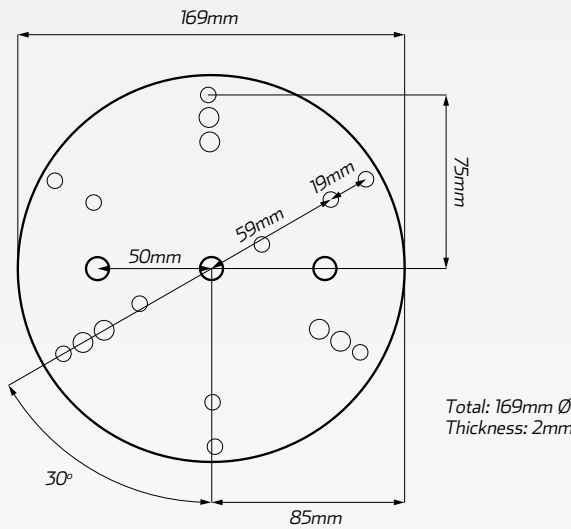
www.qvee.com.au

**DESCRIPTION**

Round beacon mounting bracket.  
Stainless steel build with black powder coating.  
A perfect mounting bracket for QVEE's beacons, halogen & LED type. 169mm diameter.  
Rugged build and made to also suit other brands of beacons.



**DIMENSIONS**



**TECHNICAL SPECIFICATIONS**

Material	• Stainless steel
Colour	• Black powder coated
Dimensions	• 169mm L x 2mm D
Mounting	• 50mm CTC
Hole Diameter	• 10mm Ø (centre hole)

**FEATURES**

- Made for heavy duty applications (2mm thickness)
- Rugged stainless steel build
- Suitable to be mounted on a minebar or bullbar
- Black powder coating

\* Mounting bolts are not included