

QVEE Angled Beacon
Mounting Bracket
#BRK2

www.qvee.com.au

DESCRIPTION

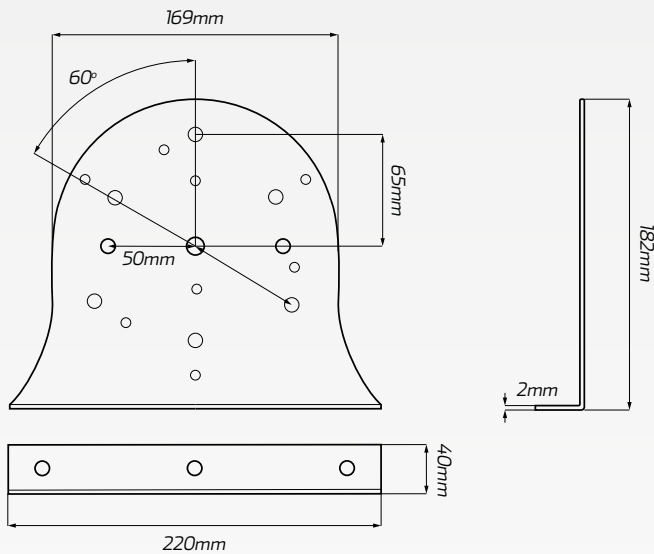
Angled beacon mounting bracket.
Stainless steel build with black powder coating.

A perfect mounting bracket for QVEE's beacons, halogen & LED type. 169mm diameter.

Rugged build and made to also suit other brands of beacons.



DIMENSIONS



TECHNICAL SPECIFICATIONS

Material	• Stainless steel
Colour	• Black powder coated
Dimensions	• 220mm L x 182mm H x 169mm Dia x 2mm D
Mounting	• 50mm CTC
Hole Diameter	• 10mm Ø (centre hole)

FEATURES

- Made for heavy duty applications (2mm thickness)
- Rugged stainless steel build
- Suitable to be mounted on a minebar or bullbar
- Black powder coating

* Mounting bolts are not included