

QVEE

AUTOMOTIVE | MINING | MARINE

250A Feed Through Insulated Terminal Stud

Sold Individually

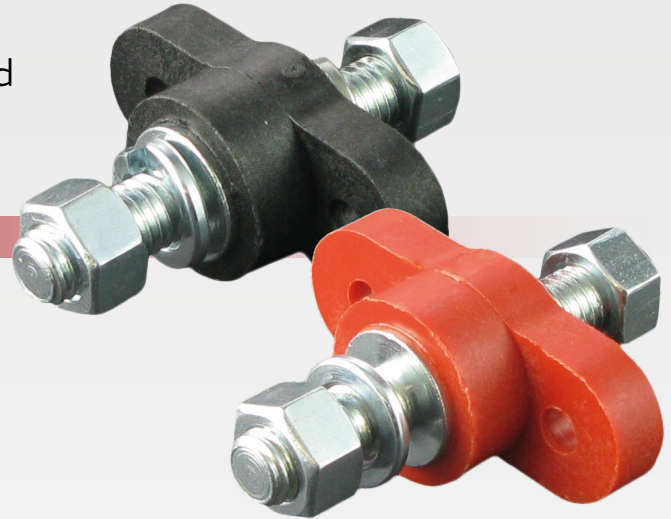
www.qvee.com.au

DESCRIPTION

The C1938 provides ground or power connection points for AC or DC circuits. The housing is constructed from hard wearing thermoplastic.

Ideal for vehicle electrical systems, transformers, communication and computer power sections.

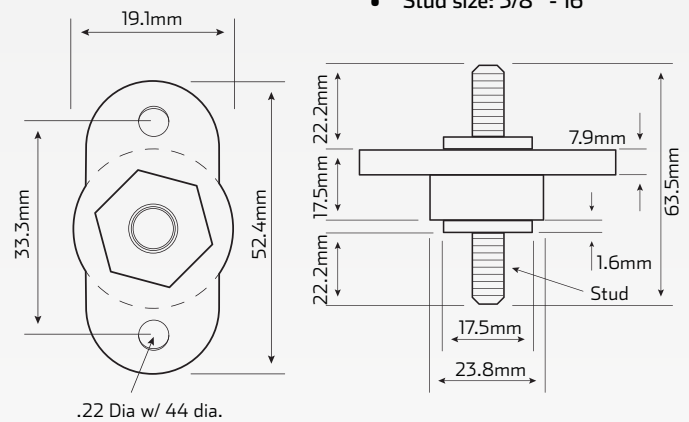
These heavy duty feed through terminal studs are rated up to 250A.



TECHNICAL SPECIFICATIONS

Electrical Application	• AC / DC suitable
Termination Style	• Threaded stud
Thread/Stud Size	• 3/8" - 16
Housing Material	• Thermoplastic
Stud Material	• Zinc plated steel
Mounting Style	• Panel mount
Mounting Torque Rating	• 5.4Nm max
Accessories	• Nuts & washers provided

DIMENSIONS



*Mounting bolts are not included.

PART NUMBERS

Part No.	Colour	Amperage	Mount	Description
C1938	• Black	• 250 Amps	• Panel Mount	• 250 Amp heavy duty feed through terminal stud - black housing
C1938RD	• Red	• 250 Amps	• Panel Mount	• 250 Amp heavy duty feed through terminal stud - red housing