

# QVEE

AUTOMOTIVE | MINING | MARINE

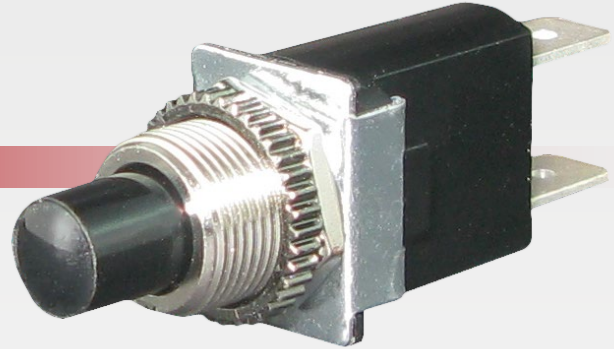
## SPST Off/Mom On Push Button Switch

#C936

www.qvee.com.au

### DESCRIPTION

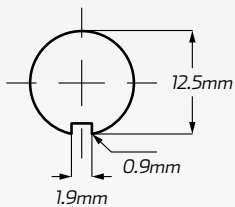
SPST Off/Momentary On push button switch.  
Amperage: 10A @ 12 Volt & 5A @ 24 Volt.  
2 blade terminals.



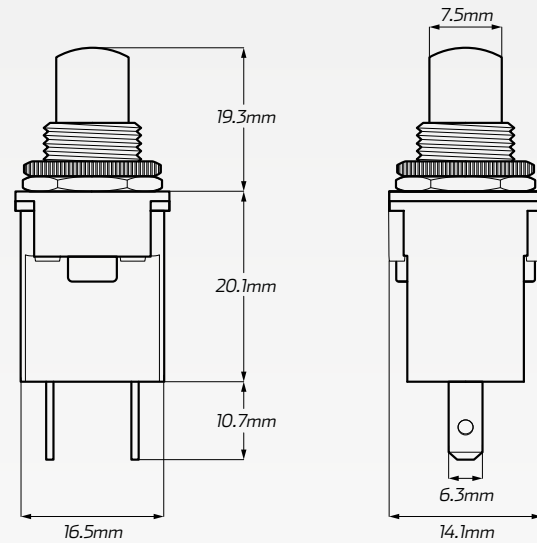
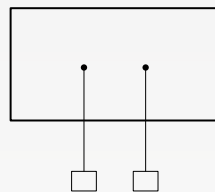
### DIMENSIONS

- 2 pin SPST Off/Momentary On push button switch
- 2 blade terminals
- Suitable for 6 - 36 volt applications
- 12.5mm diameter stem
- Spring return switch

#### Panel Cut-out\*



#### Wiring Diagram



\*Measurement allowance: +/- 0.3mm

### TECHNICAL SPECIFICATIONS

<b>Function</b>	• SPST Off/Momentary On	<b>Contacts</b>	• 2 blade terminals
<b>Suitable Voltage</b>	• 6 - 36 Volt	<b>Features</b>	• Spring return to Off position
<b>Amperage</b>	• 10A @ 12V, 5A @ 24V	<b>Switch Dimensions</b>	• 16.5mm x 50mm x 14.1mm
<b>Body Colour</b>	• Silver / Black	<b>Cut-out Dimensions</b>	• Ø 12.5mm (+/- 0.3mm allowance)