

**QVEE** Panel Mount Manual Reset Circuit Breakers  
AUTOMOTIVE | MINING | MARINE #CB5

www.qvee.com.au

**DESCRIPTION**

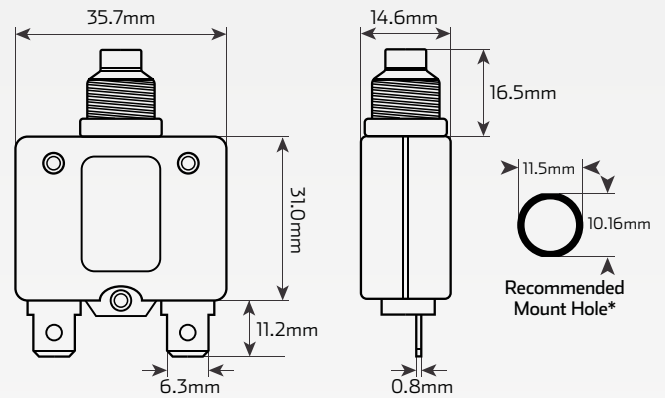
Heavy duty panel mount manual reset circuit breakers. Suitable for a range of automotive applications such as motor, generator, power strips and more.



**TECHNICAL SPECIFICATIONS**

<b>Input Voltage</b>	• 32V DC
<b>Interrupting Capacity</b>	• 125/250V AC x 1,000A
<b>Current Rating Range</b>	• 5A - 30A
<b>Reset Mechanism</b>	• Manual push reset
<b>Contact Material</b>	• Cadmium free contacts
<b>Body Material</b>	• Thermoplastic (Bakelite)
<b>Approvals</b>	<ul style="list-style-type: none"> <li>• UL 1077 standard</li> <li>• EV 60934 standard</li> <li>• IEC 60934 standard</li> <li>• RoHS</li> </ul>

**DIMENSIONS**



\* Minimum 10mm diameter mounting hole.

**PART NUMBERS**

Part No.	Amperage	Reset	Mount	Description
CB5505	• 5 Amps	• Manual	• Panel Mount	• 5 Amp heavy duty panel mount circuit breaker with 10mm mount hole
CB5510	• 10 Amps	• Manual	• Panel Mount	• 10 Amp heavy duty panel mount circuit breaker with 10mm mount hole
CB5515	• 15 Amps	• Manual	• Panel Mount	• 15 Amp heavy duty panel mount circuit breaker with 10mm mount hole
CB5520	• 20 Amps	• Manual	• Panel Mount	• 20 Amp heavy duty panel mount circuit breaker with 10mm mount hole
CB5525	• 25 Amps	• Manual	• Panel Mount	• 25 Amp heavy duty panel mount circuit breaker with 10mm mount hole
CB5530	• 30 Amps	• Manual	• Panel Mount	• 30 Amp heavy duty panel mount circuit breaker with 10mm mount hole