



20W ROK Series  
LED Worklight - Flood  
#CBROK20F

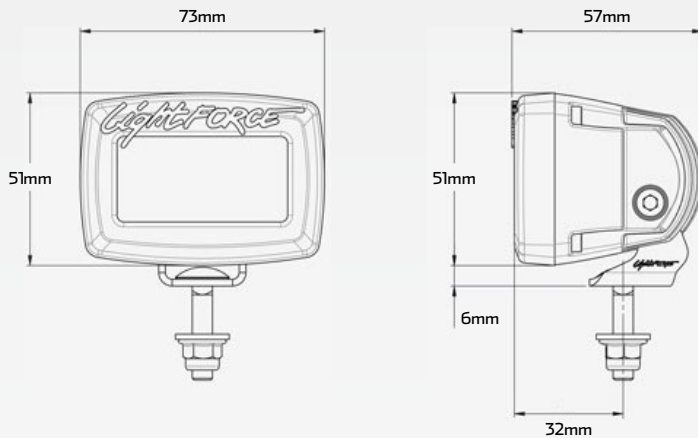
www.lightforce.com



**DESCRIPTION**

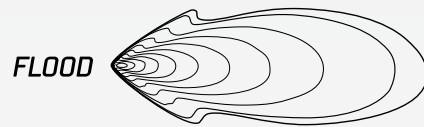
The ROK Series 20W LED worklight perfect for a wide range of applications. These lights provide unique solutions to a wide range of lighting needs, such as reverse light, motorbike handlebar light or even a worklight for leisure, such as camping. Features high-pressure cast aluminium body and impact resistant polycarbonate lens, custom moulded strain relief connector & IP69K rated. RoHS certified. Pre-wired with Deutsch waterproof connector. 3 year warranty.

**TECHNICAL SPECIFICATIONS**



**Comprises:**

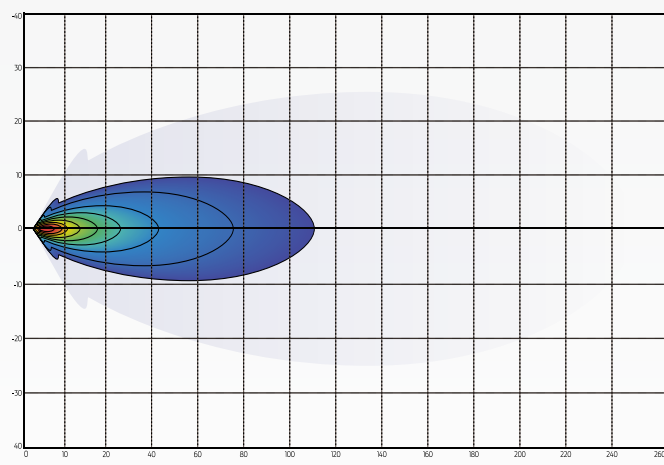
- 1 x CBROK20F LED worklight
- 1 x Mounting hardware and fixings
- 1 x Deutsch plug fly lead
- 1 x User manual



**TECHNICAL SPECIFICATIONS**

**Beam Coverage**

Data for a single light



<b>Voltage Range</b>	• 9 - 36 Volt
<b>Current Draw</b>	• 0.9 Amps @ 13.2 Volt
<b>Wattage</b>	• 20 Watt
<b>IP Rating</b>	• IP69K rated
<b>Colour Temperature</b>	• 5,000K
<b>Beam Type</b>	• Flood
<b>Distance @ 1 Lux</b>	• 110m
<b>Body Material</b>	• High-pressure cast aluminium body
<b>Lens Material</b>	• Hard coated polycarbonate lens
<b>Dimensions</b>	• 73mm W x 51mm H x 57mm D
<b>Approvals</b>	• RoHS certified