



20W ROK Series LED Worklight - Ultra Flood

#CBROK20UF

www.lightforce.com

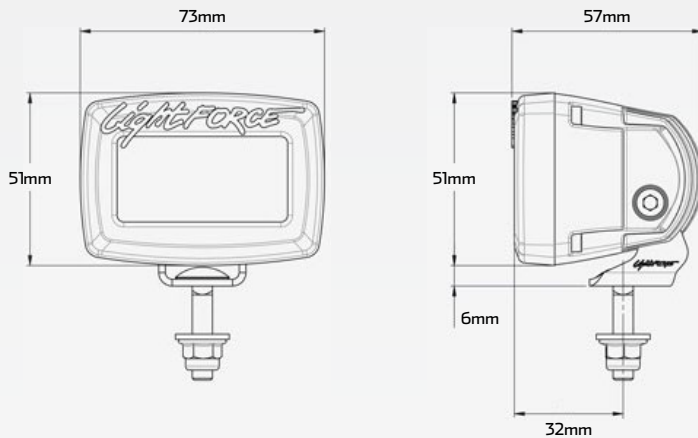
DESCRIPTION

The ROK Series 20W LED worklight perfect for a wide range of applications. These lights provide unique solutions to a wide range of lighting needs, such as reverse light, motorbike handlebar light or even a worklight for leisure, such as camping. Features high-pressure cast aluminium body and impact resistant polycarbonate lens, custom moulded strain relief connector & IP69K rated.

RoHS certified. Pre-wired with Deutsch waterproof connector. 3 year warranty.



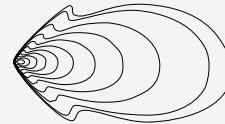
TECHNICAL SPECIFICATIONS



Comprises:

- 1 x CBROK20UF LED worklight
- 1 x Mounting hardware and fixings
- 1 x Deutsch plug fly lead
- 1 x User manual

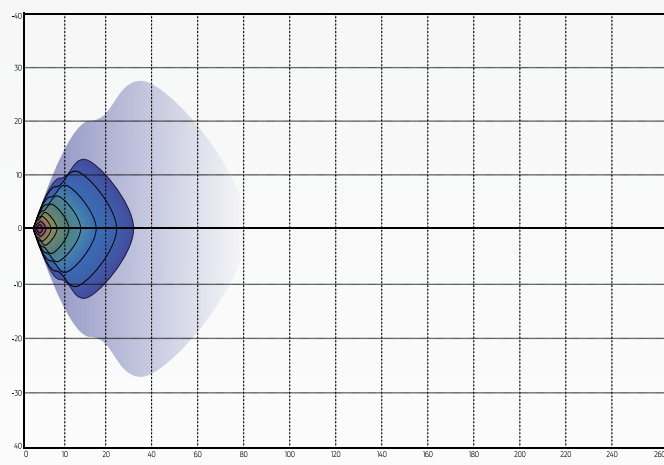
ULTRA FLOOD



TECHNICAL SPECIFICATIONS

Beam Coverage

Data for a single light



Voltage Range	• 9 - 36 Volt
Current Draw	• 0.9 Amps @ 13.2 Volt
Wattage	• 20 Watt
IP Rating	• IP69K rated
Colour Temperature	• 5,000K
Beam Type	• Flood
Distance @ 1 Lux	• 33m
Body Material	• High-pressure cast aluminium body
Lens Material	• Hard coated polycarbonate lens
Dimensions	• 73mm W x 51mm H x 57mm D
Approvals	• RoHS certified