

CODE 3 Amber LED Rotating Beacon
#CL199A

www.code3esg.com

DESCRIPTION

Multi-volt (10-30 Volt) Amber LED with clear lens. Features 30 different flash patterns including 4 simulated rotating patterns. Rugged build with polycarbonate lens and cast alloy base. Equipped with 24 LED's , 12 on it's horizontal coverage and 12 for vertical coverage resulting in a 360° beam coverage.

Waterproof and shock resistant suitable for heavy duty applications. Complies to SAE J845 Class 1 specifications. 3 bolt mount.



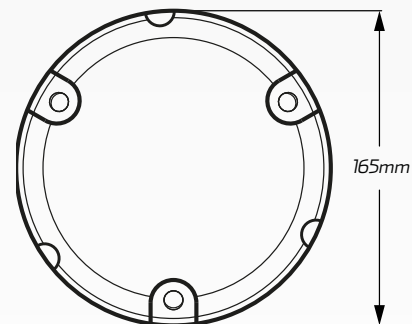
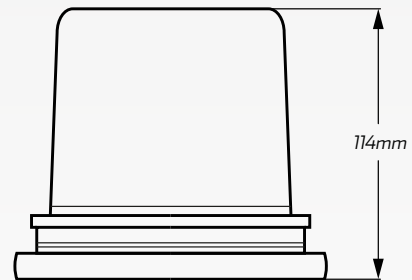
TECHNICAL SPECIFICATIONS

Voltage	• 10 - 30 Volt
Current Draw	• 1.2A @ 12 Volt
Lens Material	• Polycarbonate lens
Base Material	• Cast alloy base
LED Count	• 24 high powered LED

Mounting	• 3 bolt mount
Colour	• Amber (amber lens)
Dimensions	• 165mm (D) x 114mm (H)
Flash Patterns	• 30 flash patterns
Approvals	• SAE J845, Class 1

No.	Flash Pattern	No.	Flash Pattern
1	• Single Alert 75 Phase 1	16	• Quad Flash 75 (Alt)
2	• Single Alert 75 Phase 2	17	• Double Flash 150 (Alt)
3	• Quad Flash 75 Phase 1	18	• Double Flash 75 (Alt)
4	• Quad Flash 75 Phase 2	19	• Single Flash 375 (Alt)
5	• Double Flash 150 Phase 1	20	• Single Flash 150 (Alt)
6	• Double Flash 150 Phase 2	21	• Single Flash 75 (Alt)
7	• Double Flash 75 Phase 1	22	• Active Flash (Sim)
8	• Double Flash 75 Phase 2	23	• Modular Flash (Sim)
9	• Single Flash 375 Phase 1	24	• Modular Active (Alt)
10	• Single Flash 375 Phase 2	25	• Modular Active (Sim)
11	• Single Flash 150 Phase 1	26	• Rotator 50
12	• Single Flash 150 Phase 2	27	• Rotator 75
13	• Single Flash 75 Phase 1	28	• Rotator 125
14	• Single Flash 75 Phase 2	29	• Rotator 250
15	• Single Alert 75 (Alt)	30	• Auto-run

DIMENSIONS



Synchronizes with other Code 3 beacons including XT3, XT302, XT304.