

QVEE Copper Seam Battery Cable Lugs
AUTOMOTIVE | MINING | MARINE Sold in Packs of 10

www.qvee.com.au



DESCRIPTION

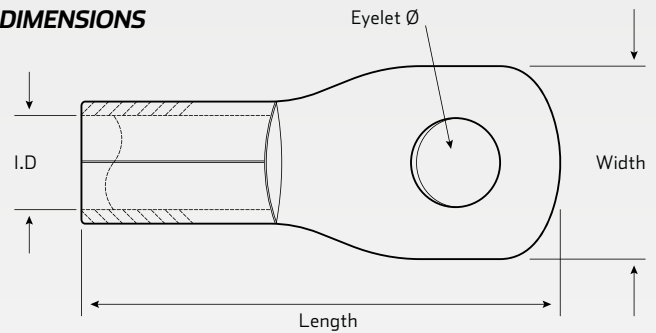
QVEE's copper cable lugs are of the highest quality and are manufactured from 99.9% copper to give you the best conductivity.

They have a continuous operating temperature of 155° C.

TECHNICAL SPECIFICATIONS

Material	• 99.9% copper
Operating Temperature	• Up to 155°C

DIMENSIONS



PART NUMBERS

Part No.	Internal Diameter	Eyelet Size	Cable Size	Dimensions	Description
CSL8-5	• 4.5mm	• 5mm	• 8B&S (10mm ²)	• 29.8mm L x 15mm W	• Copper seam battery cable lugs with 5mm eyelet, suits 8B&S cable
CSL8-6		• 6mm		• 29.8mm L x 15mm W	• Copper seam battery cable lugs with 6mm eyelet, suits 8B&S cable
CSL8-8		• 8mm		• 29.8mm L x 15mm W	• Copper seam battery cable lugs with 8mm eyelet, suits 8B&S cable
CSL8-10		• 10mm		• 29.8mm L x 15mm W	• Copper seam battery cable lugs with 10mm eyelet, suits 8B&S cable
CSL8-12		• 12mm		• 33.5mm L x 20mm W	• Copper seam battery cable lugs with 12mm eyelet, suits 8B&S cable
CSL14-5		• 5.8mm		• 5mm	• 6B&S (16mm ²)
CSL14-6	• 6mm		• 29.8mm L x 12mm W	• Copper seam battery cable lugs with 6mm eyelet, suits 6B&S cable	
CSL14-8	• 8mm		• 32.8mm L x 16mm W	• Copper seam battery cable lugs with 8mm eyelet, suits 6B&S cable	
CSL14-10	• 10mm		• 32.8mm L x 16mm W	• Copper seam battery cable lugs with 10mm eyelet, suits 6B&S cable	
CSL14-12	• 12mm		• 41mm L x 22mm W	• Copper seam battery cable lugs with 12mm eyelet, suits 6B&S cable	
CSL22-6	• 7.7mm		• 6mm	• 3B&S (25mm ²)	
CSL22-8		• 8mm	• 33.7mm L x 16.5mm W		• Copper seam battery cable lugs with 8mm eyelet, suits 3B&S cable
CSL22-10		• 10mm	• 33.7mm L x 16.5mm W		• Copper seam battery cable lugs with 10mm eyelet, suits 3B&S cable