

QVEE Bullet Terminals

Sold in Packs of 100

AUTOMOTIVE | MINING | MARINE

www.qvee.com.au

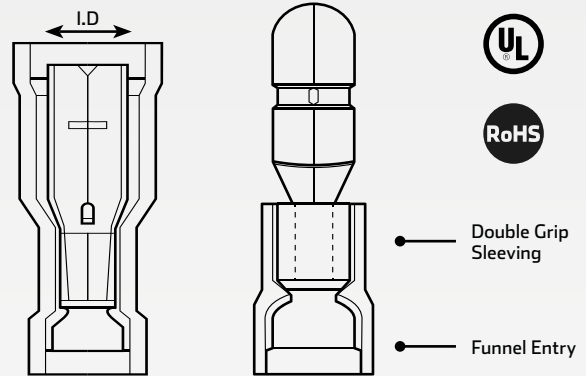


DESCRIPTION

QVEE's crimp terminals are all copper sleeved. They are manufactured to the highest standards and conform to UL specifications. Our premium copper sleeve range (also known as "double grip") are funnel entry to aid in the speed of termination and prevent wire strands folding back.

TECHNICAL SPECIFICATIONS

Material	• Brass tin plated with vinyl insulation
Insulation Colour	Maximum Electrical Rating
Red – 3mm Cable	• 75°C, 300 Volts, 10 Amp Max
Blue – 4mm Cable	• 75°C, 300 Volts, 15 Amp Max
Yellow – 5-6mm Cable	• 75°C, 300 Volts, 24 Amp Max



PART NUMBERS

Male Bullet Terminals

Part No.	Insulation Colour	I.D	Auto Cable Size	Description
CT17/100	• Red	• 4mm	• 3mm (1.13mm ²)	• Red male bullet terminal with 4mm I.D, suits 3mm automotive cable
CT36/100	• Blue	• 5mm	• 4mm (1.84mm ²)	• Blue male bullet terminal with 5mm I.D, suits 4mm automotive cable
CT56/100	• Yellow	• 5mm	• 5-6mm (2.90-4.59mm ²)	• Yellow male bullet terminal with 5mm I.D, suits 5-6mm automotive cable

Female Bullet Terminals

Part No.	Insulation Colour	I.D	Auto Cable Size	Description
CT18/100	• Red	• 4mm	• 3mm (1.13mm ²)	• Red female bullet terminal with 4mm I.D, suits 3mm automotive cable
CT37/100	• Blue	• 5mm	• 4mm (1.84mm ²)	• Blue female bullet terminal with 5mm I.D, suits 4mm automotive cable
CT57/100	• Yellow	• 5mm	• 5-6mm (2.90-4.59mm ²)	• Yellow female bullet terminal with 5mm I.D, suits 5-6mm automotive cable