

QVEE
AUTOMOTIVE | MINING | MARINE

Heatshrink
Crimp Terminals - Spade
Sold in Packs of 100

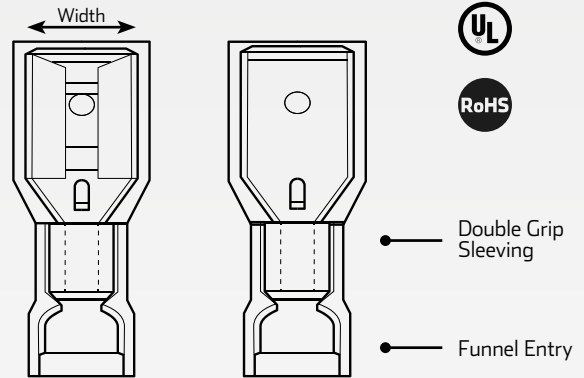
www.qvee.com.au



DESCRIPTION

Heatshrink spade terminals. QVEE's crimp terminals are all copper sleeved. They are manufactured to the highest standards and conform to UL specifications. Our premium copper sleeve range (also known as "double grip") are funnel entry to aid in the speed of termination and prevent wire strands folding back.

Inner Material	• Tin plated brass
Insulation Material	• Adhesive lined polyethylene
Insulation Colour	Maximum Electrical Rating
Red - 3mm Cable	• 150°C, 600 Volts, 10 Amp Max
Blue - 4mm Cable	• 150°C, 600 Volts, 15 Amp Max
Yellow - 5-6mm Cable	• 150°C, 600 Volts, 24 Amp Max



PART NUMBERS

Male Heatshrink Spade Terminals

Part No.	Insulation Colour	Spade Width	Auto Cable Size	Description
CTWP14	• Red	• 6.3mm	• 3mm (1.13mm ²)	• Red male heatshrink spade terminal with 6.3mm spade. Comes in packs of 100.
CTWP33	• Blue	• 6.3mm	• 4mm (1.84mm ²)	• Blue male heatshrink spade terminal with 6.3mm spade. Comes in packs of 100.
CTWP87	• Yellow	• 6.3mm	• 5-6mm (2.90-4.59mm ²)	• Yellow male heatshrink spade terminal with 6.3mm spade. Comes in packs of 100.

Female Heatshrink Spade Terminals

Part No.	Insulation Colour	Spade Width	Auto Cable Size	Description
CTWP16	• Red	• 6.3mm	• 3mm (1.13mm ²)	• Red female heatshrink spade terminal with 6.3mm spade. Comes in packs of 100.
CTWP35	• Blue	• 6.3mm	• 4mm (1.84mm ²)	• Blue female heatshrink spade terminal with 6.3mm spade. Comes in packs of 100.
CTWP55	• Yellow	• 6.3mm	• 5-6mm (2.90-4.59mm ²)	• Yellow female heatshrink spade terminal with 6.3mm spade. Comes in packs of 100.