



**DT 6 Circuit Deutsch Connector Blister Pack**  
#DT6

www.te.com



**DESCRIPTION**

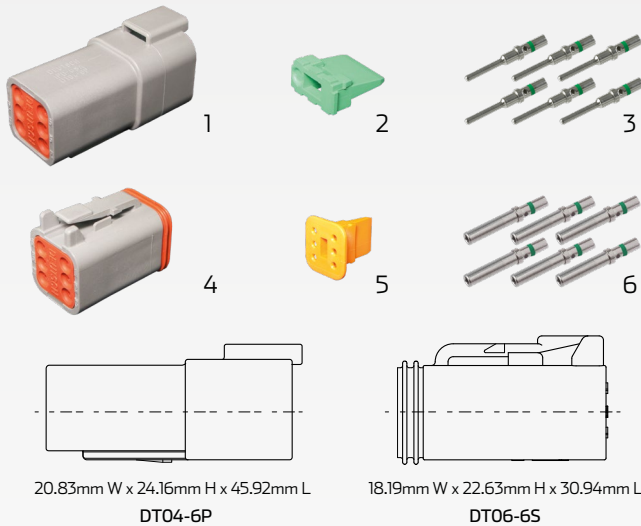
6 circuit DT Series Deutsch connector blister pack.

Deutsch DT Series of environmentally sealed connectors are designed specifically for cable to cable applications on the engine or transmission, under the hood, on the chassis or in the cab. Thermoplastic housing and silicon rubber seals.

Perfect for harsh environmental applications where reliable signal circuits are critical to operation performance.

- Accepts contact size 16 (13 amps)
- In-line, flange or PCB mounts available
- Thermoplastic housing
- Intergrated latch for mating
- Wedgelocks confirm contact alignment and retention

**PRODUCT BREAKDOWN**



**COMPONENTS**

No.	Part No.	Description
1	DT04-6P	• 6 circuit DT series receptacle housing to take male pins
2	W6P	• 6 circuit pin wedge
3	P16GN/1	• Male pin. Takes 3 - 4mm auto cable
4	DT06-6S	• 6 circuit DT series plug housing to take female sockets
5	W6S	• 6 circuit socket wedge
6	S16GN/1	• Female socket. Takes 3 - 4mm auto cable

**TECHNICAL SPECIFICATIONS**

<b>Connector System</b>	• Wire to wire
<b>Primary Locking Feature</b>	• Integrated in housing
<b>Number of Positions</b>	• 6 positions, 2 row
<b>Mating Pin Diameter</b>	• 1.5mm
<b>Contact Rating</b>	• 13A max per contact
<b>Voltage Rating</b>	• Up to 250 Volt DC
<b>Operating Temperature</b>	• -55°C to 125°C

<b>Flammability</b>	• UL recognized, standard UL-94
<b>Agency Standard</b>	• SAE J2030
<b>Insulation Resistance</b>	• 1000MΩ minimum at 25°
<b>Vibration Resistance</b>	• No mechanical / physical damage @ 20Gs rms at 10 to 2000Hz
<b>IP Rating</b>	• IP68 and IP69K (with protection such as backshell)
<b>Dielectric Withstand Voltage</b>	• Current leakage < 2mA @ 1500V AC