

# QVEE ATO Blade Fuse Boxes

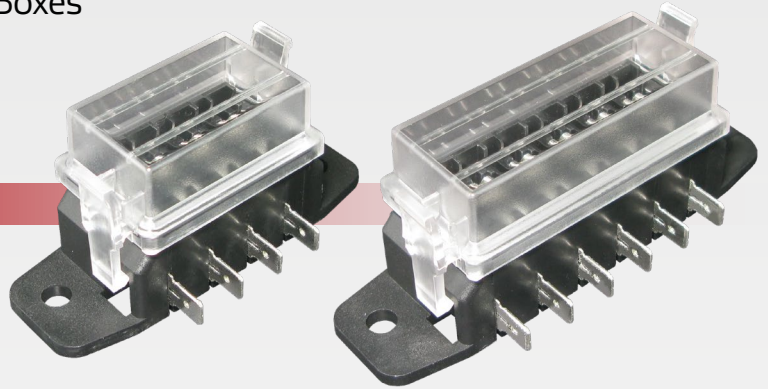
#FB10

AUTOMOTIVE | MINING | MARINE

www.qvee.com.au

## DESCRIPTION

Fuse box to suit standard (ATO) blade fuses.  
Features a transparent cover and 6.3mm blade terminal connections. Amperage rating of 15 Amps per circuit.

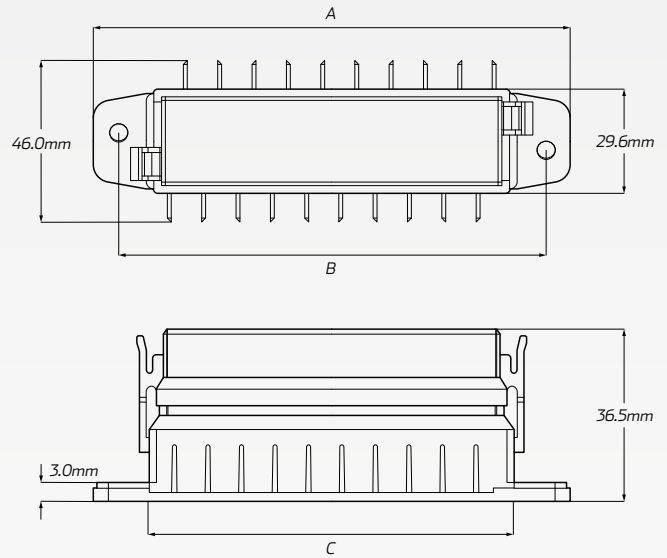


## TECHNICAL SPECIFICATIONS

- Maximum voltage of 32V DC
- Fuses are not included
- Bronze tin plated terminals
- Available in 4/6/8/10 circuit
- Nylon PA 66 Fibre base with polycarbonate cover

<b>Voltage</b>	• 32 Volt DC max
<b>Current Rating</b>	• 15A per circuit
<b>Base Material</b>	• Nylon PA 66 + 15% fibre
<b>Base Colour</b>	• Black
<b>Cover Material</b>	• Clear polycarbonate (included)
<b>Contact Material</b>	• Phosphor bronze tin plated (6.3mm)
<b>Terminals to Suit</b>	• Standard (ATO) blade fuses (not included)

## DIMENSIONS



Please refer to table below for full measurements

## PART NUMBERS

Part Number	No. of Fuses	Max. Current (Block)	Dimensions (A x B x C)	Descriptions
FB1004	4 fuses	30 Amp max	80mm (A) x 65mm (B) x 49mm (C)	4 way standard blade fuse box with cover
FB1006	6 fuses	45 Amp max	100mm (A) x 85mm (B) x 69mm (C)	6 way standard blade fuse box with cover
FB1008	8 fuses	60 Amp max	120mm (A) x 105mm (B) x 89mm (C)	8 way standard blade fuse box with cover
FB1010	10 fuses	90 Amp max	140mm (A) x 126mm (B) x 109mm (C)	10 way standard blade fuse box with cover