

QVEE Warning Buzzer
#FM12A

AUTOMOTIVE | MINING | MARINE

www.qvee.com.au



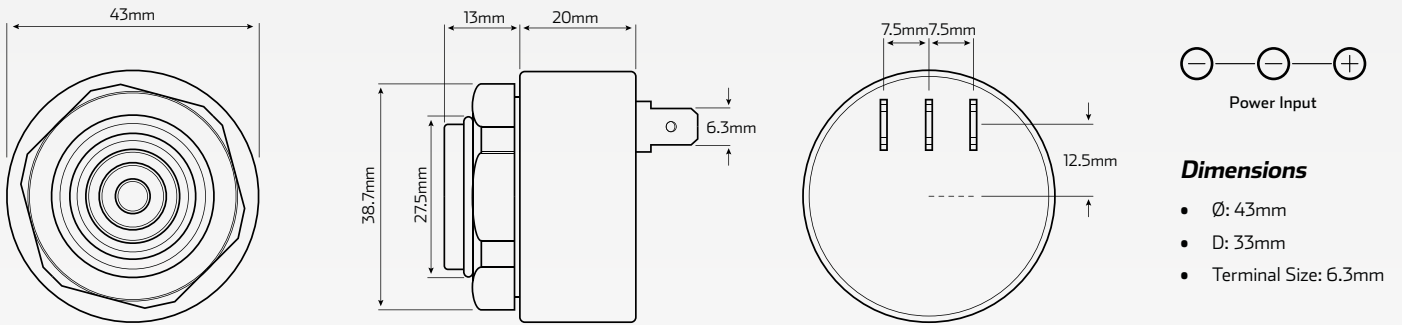
DESCRIPTION

85dB panel mount warning buzzer. 28mm mounting diameter.
These alarms are epoxy filled to provide more vibration resistance.

FEATURES

- Multivolt: 6 - 28 Volt
- Epoxy filled for vibration resistance
- Panel mount (built-in plug)
- Continuous or pulsed output up to 85 dB

DIMENSIONS



TECHNICAL SPECIFICATIONS

Voltage	• 6 - 28 Volts
Current Draw	• 0.18 Amp
Sound Pressure Level	• 85dB @ 1m
Sounder Unit	• Piezo
Sound Frequency	• 2,900 Hz
Buzzer Tone	• Continuous (slow pulse @ 12V DC)

Operating Temperature	• -30°C to 85°C
Storage Temperature	• -40°C to 95°C
Dimensions	• 43mm Ø x 33mm D
Mounting Style	• Panel Mount
Terminal Size	• 6.3mm spade terminal